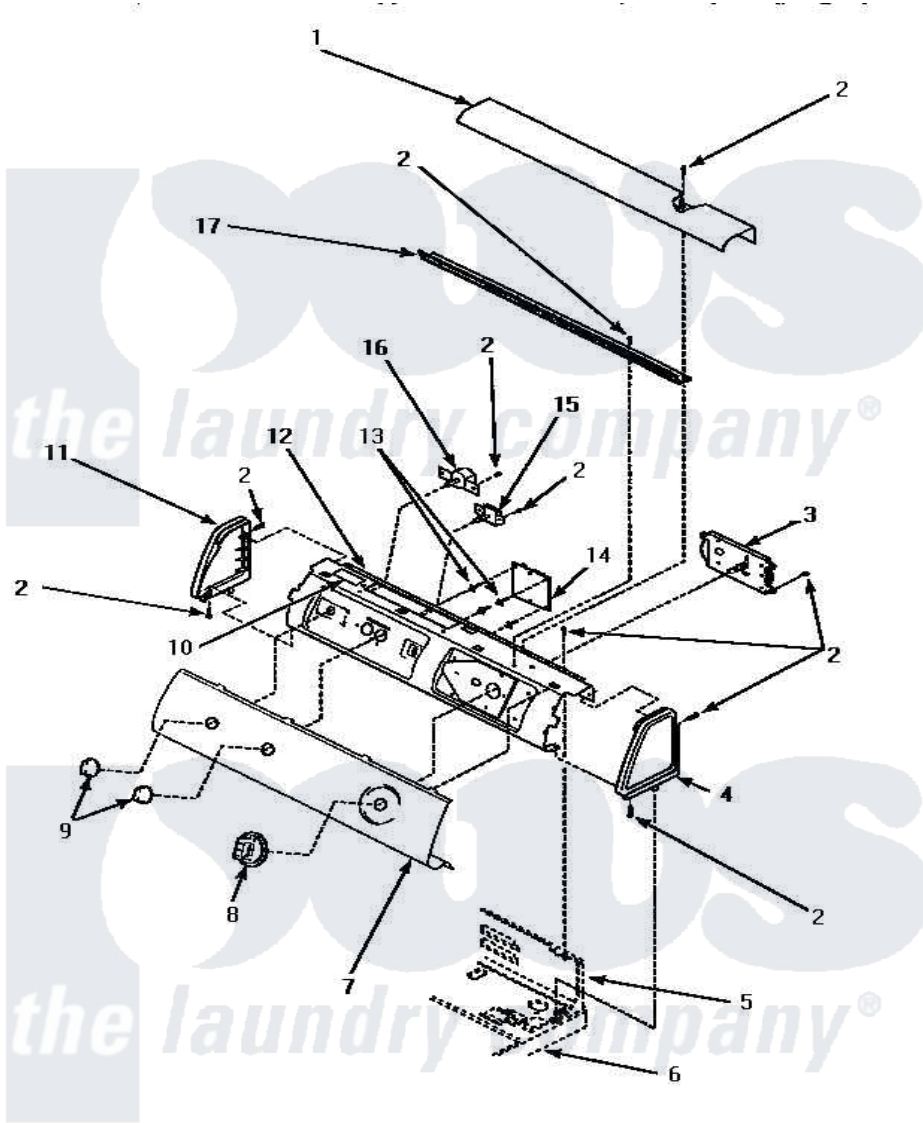


**Amana LG4209L (BOM: P1158902W L) 06 - GRAPHIC PANEL, CONTROL HOOD & CONTROLS**



**GRAPHIC PANEL, CONTROL HOOD AND CONTROLS**

Amana [Residential Amana LG4209L \(BOM: P1158902W L\) Dryer Parts](#) Parts Diagram 06 - GRAPHIC PANEL, CONTROL HOOD & CONTROLS  
 Click on the part number to view part

Item	Original Part Number	Replaced By	Status	Part Description
"	NOTE:		Not Available	IF DRYER IS INSTALLED IN A MANUFACTURED (MOBILE) HOME, OR IF LOCAL CODES DO NOT PERMIT GROUNDING THROUGH THE NEUTRAL, THIS WIRE WILL NOT BE CONNECTED TO THE DR
1	500302		Not Available	COVER, TOP
2	501086	<a href="#">90767</a>		Screw, 8A X 3/8 HeX Washer Head Tapping
3	501881		Not Available	TIMER
4	34817W		Not Available	PANEL, END-RH
5	Y00000000		Not Available	SEE NOTE CONTROL HOOD REAR PANEL
6	Y00000000		Not Available	SEE NOTE CABINET TOP
7	501900		Not Available	PANEL, GRAPHICS
8	500311	<a href="#">502220W</a>		Knob, Timer

9	<a href="#">34847</a>		Assembly, Knob-Rotary
10	24903	Not Available	STICKER,DISCONNECT POW
11	<a href="#">34816</a>		Panel, End
12	500300	Not Available	BRACKET,CONTROL SUPPORT-MECH
13	<a href="#">501523</a>		Support, Circuit Board
14	501266	Not Available	ASSY, ELECT
15	<a href="#">500823</a>		Signal, Rotary
16	<a href="#">62173</a>		Switch, Temperature Select
17	500305	Not Available	DIFFUSER W/OUT HOLE

