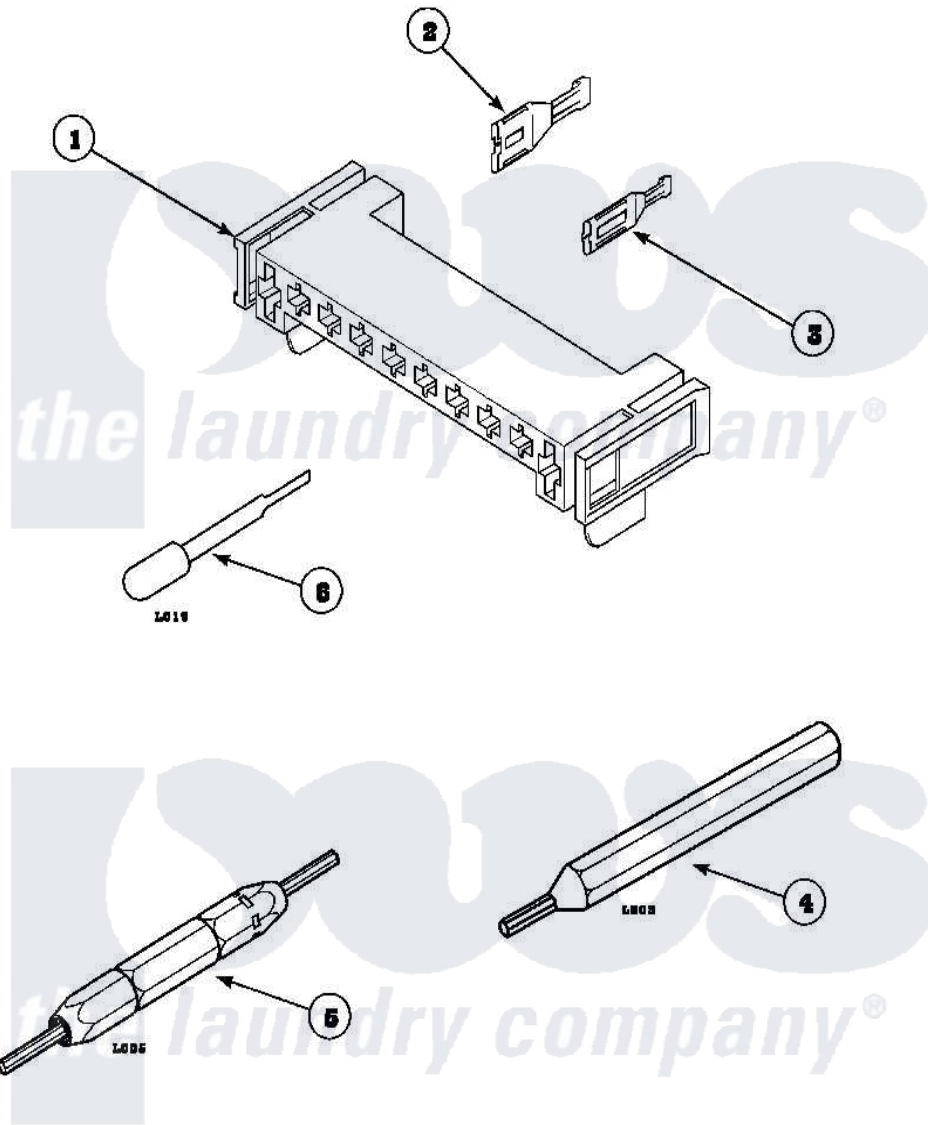


Amana LG4209W2 (BOM: PLG4209W2) 15 - MOTOR CONN BLOCK, TERM & TOOLS



Amana Residential Amana LG4209W2 (BOM: PLG4209W2) Dryer Parts Parts Diagram 15 - MOTOR CONN BLOCK, TERM & TOOLS

Click on the part number to view part

Item	Original Part Number	Replaced By	Status	Part Description
1	Y00161	B5733302		Clip, Ground
2	Y00189			Terminal, Spade
3	58799			Connector-2 Circuit
4	Y00190			Connector-Receptacle
5	Y00119		Not Available	SPADE TERMINAL(18 GAUGE) (1/4 INCH-(1) 18 GAUGE WIRE)
"	Y00245	M0320576		Terminal
"	Y00121		Not Available	SPADE TERMINAL(12 GAUGE) (1/4 INCH-(2) 18 GAUGE WIRES O
6	Y00209			Spade Terminal (18 Gauge) (3/16 Inch-(2) 18 Gauge Wires-
7	21903	211881		Grommet, Cord Part Not Used-Gas Models Only
8	00122		Not Available	(1/4 INCH-(2) 18 GAUGE WIRES O

"	Y00115		Lock In Spade Terminal (18 Gaug (1/4 Inch-(1) 18 Gauge Wire)
9	90789		Connector
10	Y00163	285432	Terminal
"	Y00165		Insulated Spade Terminal
11	Y00214	Not Available	BARREL INSULATED SPADE(18 GAUG (1/4 INCH-18 GAUGE WIRE)
"	Y00215		Barrel Insulated Spade
12	Y00111		Ring Terminal No.10 No.10 18 Gauge Wires Or
"	00110		No.10 18 Gauge Wire
14	Y00138		Male Tab Terminal 18 Gauge Wire)

the laundry company[®]

the laundry company[®]

the laundry company[®]