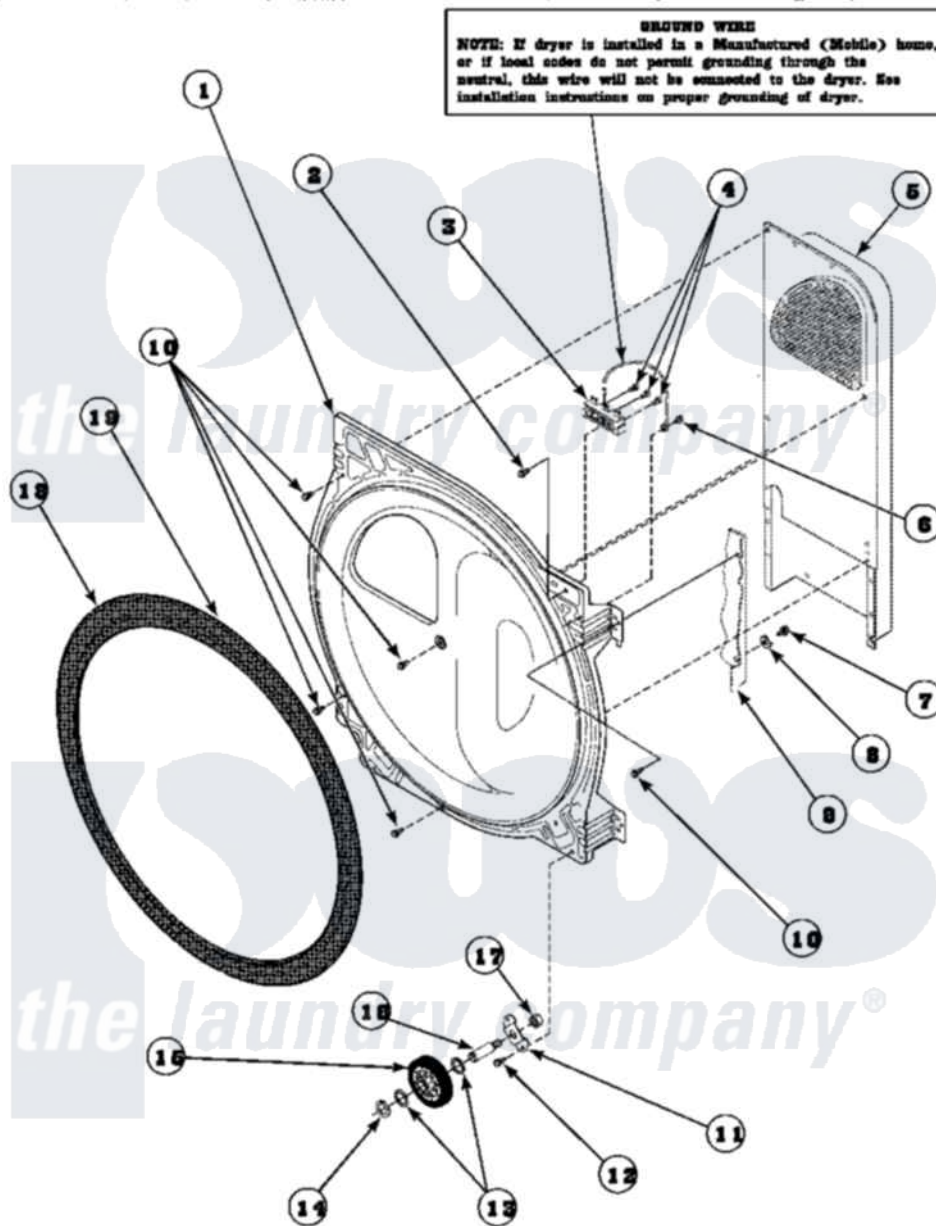


**Amana LG4209W2 (BOM: PLG4209W2) 20 - REAR BLKHD/FELT SEAL/CYL ROLLER & TERM**



Amana Residential Amana LG4209W2 (BOM: PLG4209W2) Dryer Parts Parts Diagram 20 - REAR BLKHD/FELT SEAL/CYL ROLLER & TERM  
 Click on the part number to view part

Item	Original Part Number	Replaced By	Status	Part Description
1	502614W	<a href="#">502614WP</a>		Bulkhead, Rear
3	61923P	<a href="#">61923</a>		Block, Terminal
4	Y61199	<a href="#">3400094</a>		Screw, 10-32 X 3/8
5	500179P	<a href="#">503605</a>		Assembly, Heater Duct
6	<a href="#">20530</a>			Screw, 10-24 x 3/8 Hex
7	<a href="#">20530</a>			Screw, 10-24 x 3/8 Hex
8	51474		Not Available	WASHER, 13/64IDX1/2ODX.
9	500001P		Not Available	(ADD LETTER BEFORE "P" IN PART
10	501668	<a href="#">503688</a>		Screw, 10B-16 X .34 I
11	500062	<a href="#">40113601</a>		Assembly, Roller Brkt
12	501668	<a href="#">503688</a>		Screw, 10B-16 X .34 I
13	<a href="#">52549</a>			Washer, 501 ID X3/4 Odx
14	<a href="#">23748</a>			Ring, Retaining
15	500214P	<a href="#">37001042</a>		Assembly, Cylinder Roller

16

[56461](#)

Shaft

17

56156

[358160](#)

Nut

18

501801

[37001132](#)

Seal, Cylinder

19

22506P

[511637P](#)

Adh Dow 737 Clr 3 Oz Tube

