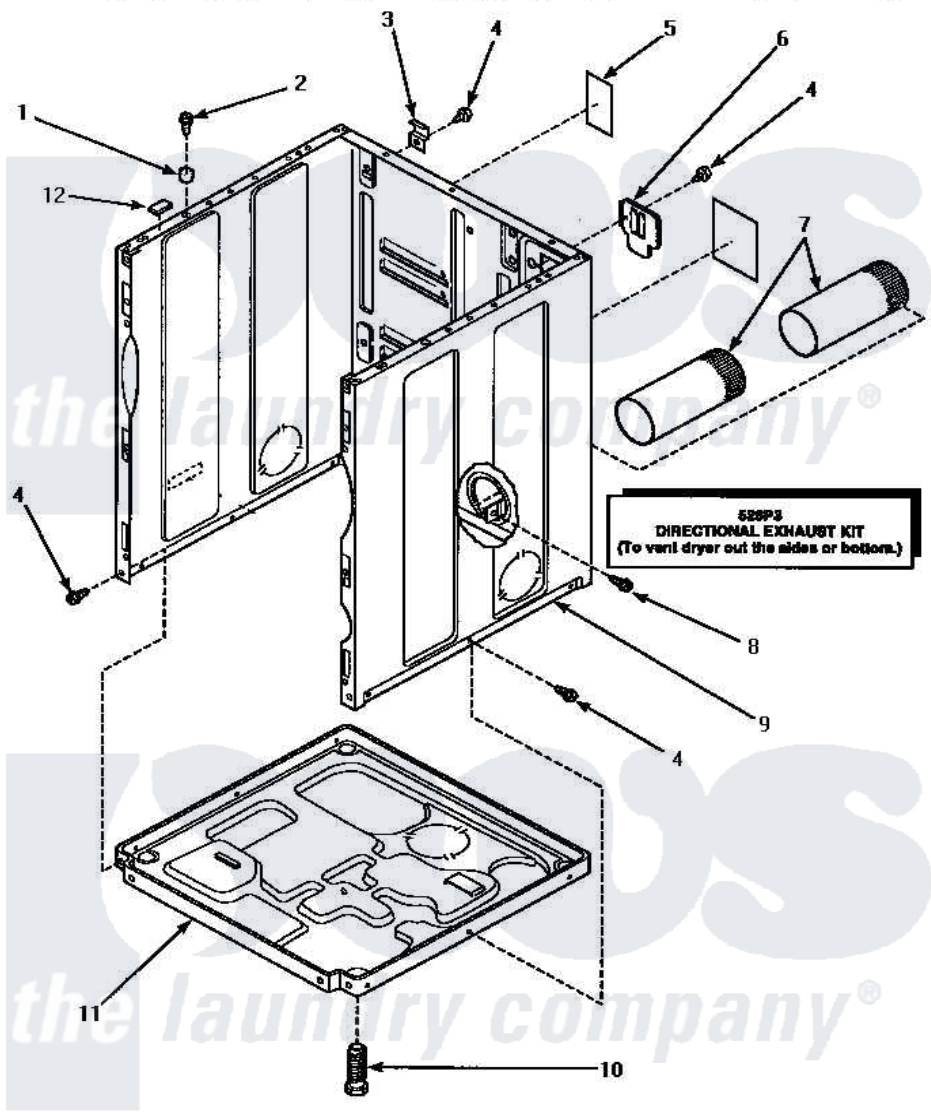


Amana LG4609L (BOM: P1163617W L) 03 - CABINET, EXHAUST DUCT & BASE



CABINET, EXHAUST DUCT AND BASE

Amana Residential Amana LG4609L (BOM: P1163617W L) Dryer Parts Parts Diagram 03 - CABINET, EXHAUST DUCT & BASE

Click on the part number to view part

| Item | Original Part Number | Replaced By | Status | Part Description |
|------|-------------------------|--------------------------|---------------|-----------------------------|
| 1 | 56079 | 505187 | | Locator, Panel |
| 2 | 32671 | Y014874 | | Screw, Idler Arm And Sleeve |
| 3 | 500003 | | | Hinge, Top |
| 4 | 33562 | 27001200 | | Screw |
| 5 | 500670 | | Not Available | STICKER NG OR MIXED GA |
| 6 | 500114 | 510903 | | Plate Access Panel |
| 7 | 500064 | 505518 | | Duct, Exhaust |
| 8 | 501668 | 503688 | | Screw, 10B-16 X .34 I |
| 9 | 500001WP | 37001284 | | Cabinet As Pack |
| " | 500001HP | | Not Available | ASSY, CABINET |
| " | 500001LP | 727P3L | | Kit Dryer Panels |
| 10 | Y500101 | | | Leg, Leveling |
| 11 | 500070 | | | Base, Dryer |
| 12 | Y56128 | | | Pad, Bumper |
| NI | 528P3 | | | Directional Exhaust Kit |

