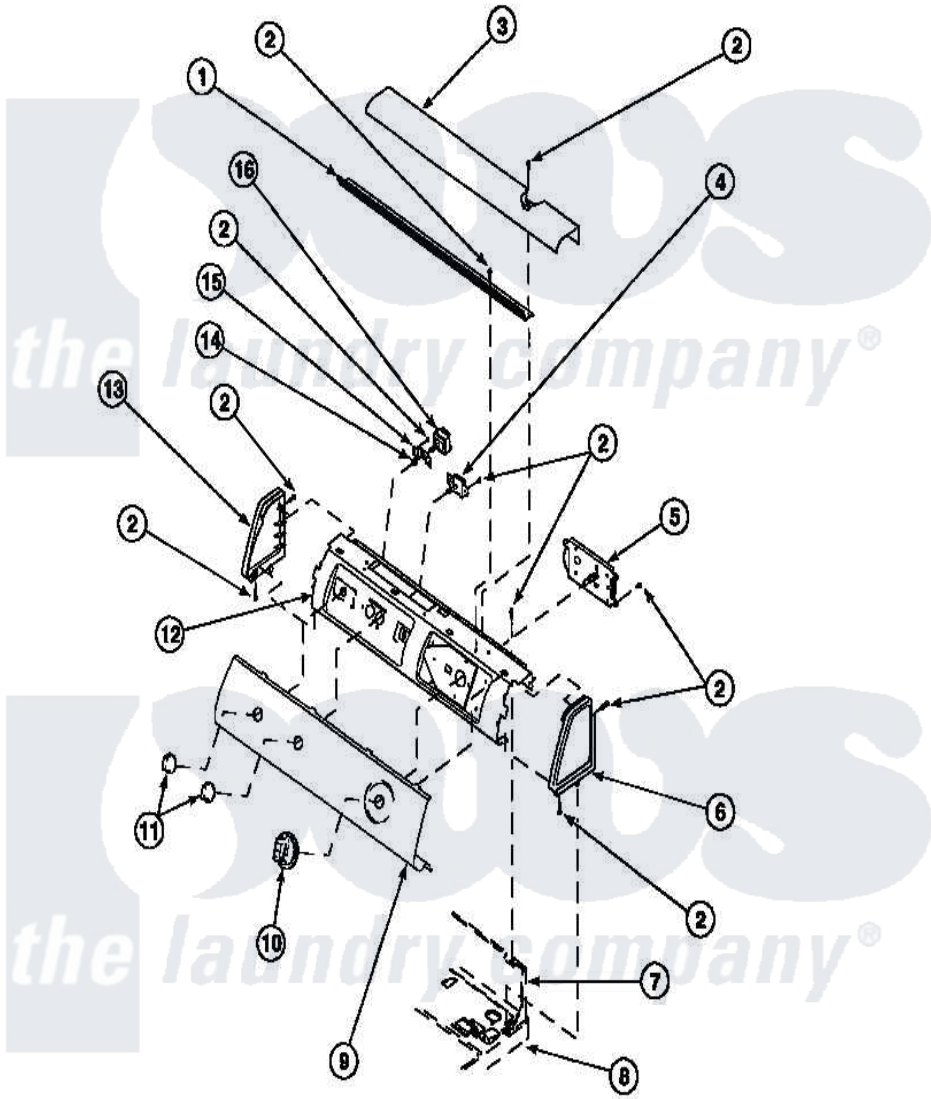


Amana LG8109W2 (BOM: PLG8109W2) 06 - GRAPHIC PANEL, CONTROL HOOD AND CONTROLS



Amana Residential Amana LG8109W2 (BOM: PLG8109W2) Dryer Parts Parts Diagram 06 - GRAPHIC PANEL, CONTROL HOOD AND CONTROLS
 Click on the part number to view part

| Item | Original Part Number | Replaced By | Status | Part Description |
|------|----------------------|-----------------------|---------------|---|
| 1 | 500305 | | Not Available | DIFFUSER W/OUT HOLE |
| 2 | 501086 | 90767 | | Screw, 8A X 3/8 HeX Washer Head Tapping |
| 3 | 500303 | | Not Available | COVER, TOP |
| 5 | 501881 | | Not Available | TIMER |
| 6 | 34817 | | Not Available | END CAP(RIGHT) |
| 7 | 500343 | | Not Available | PANEL,BACK(HOME HOOD) |
| 8 | 500085P | | Not Available | (ADD LETTER L-L, W-W TO PART N |
| 10 | 502220 | | Not Available | KNOB, TIMER |
| 12 | 500300 | | Not Available | BRACKET,CONTROL SUPPORT-MECH |
| 13 | 34818 | | Not Available | END CAP(LEFT) |