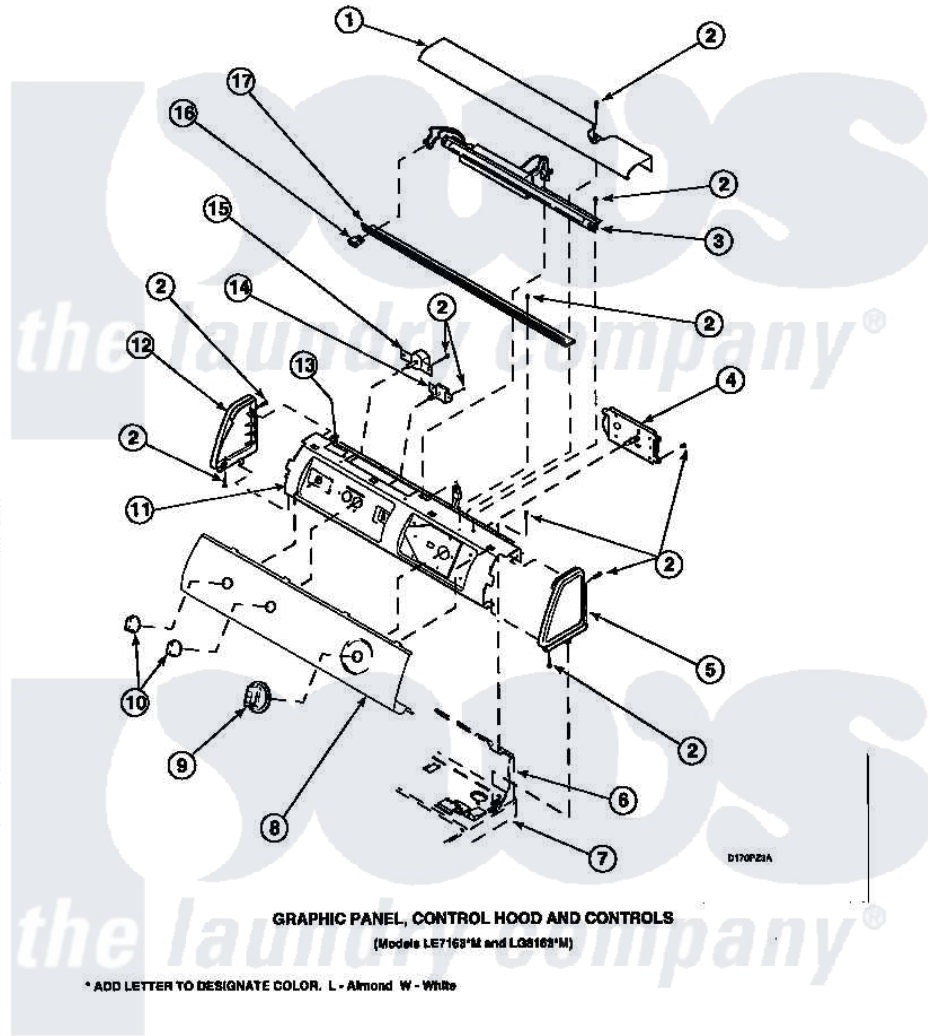


Amana LG8111LM (BOM: PLG8111LM) 08 - GRAPHIC PANEL, CONTROL HOOD AND CONTROLS



RP3200001 (502957) Revision 3 12

Amana Residential Amana LG8111LM (BOM: PLG8111LM) Dryer Parts Parts Diagram 08 - GRAPHIC PANEL, CONTROL HOOD AND CONTROLS
 Click on the part number to view part

| Item | Original Part Number | Replaced By | Status | Part Description |
|------|------------------------|-----------------------|---------------|---|
| 1 | 500303 | | Not Available | COVER, TOP |
| 2 | 501086 | 90767 | | Screw, 8A X 3/8 HeX Washer Head Tapping |
| 5 | 34817 | | Not Available | END CAP(RIGHT) |
| 6 | 500343 | | Not Available | PANEL,BACK(HOME HOOD) |
| 7 | 500085P | | Not Available | (ADD LETTER L-L, W-W TO PART N |
| 9 | 502220 | | Not Available | KNOB, TIMER |
| 10 | 36701 | | Not Available | KNOB, TEMP |
| 11 | 500300 | | Not Available | BRACKET,CONTROL SUPPORT-MECH |
| 12 | 34818 | | Not Available | END CAP(LEFT) |
| 13 | 24903 | | Not Available | STICKER,DISCONNECT POW |
| 14 | 500823 | | | Signal, Rotary |