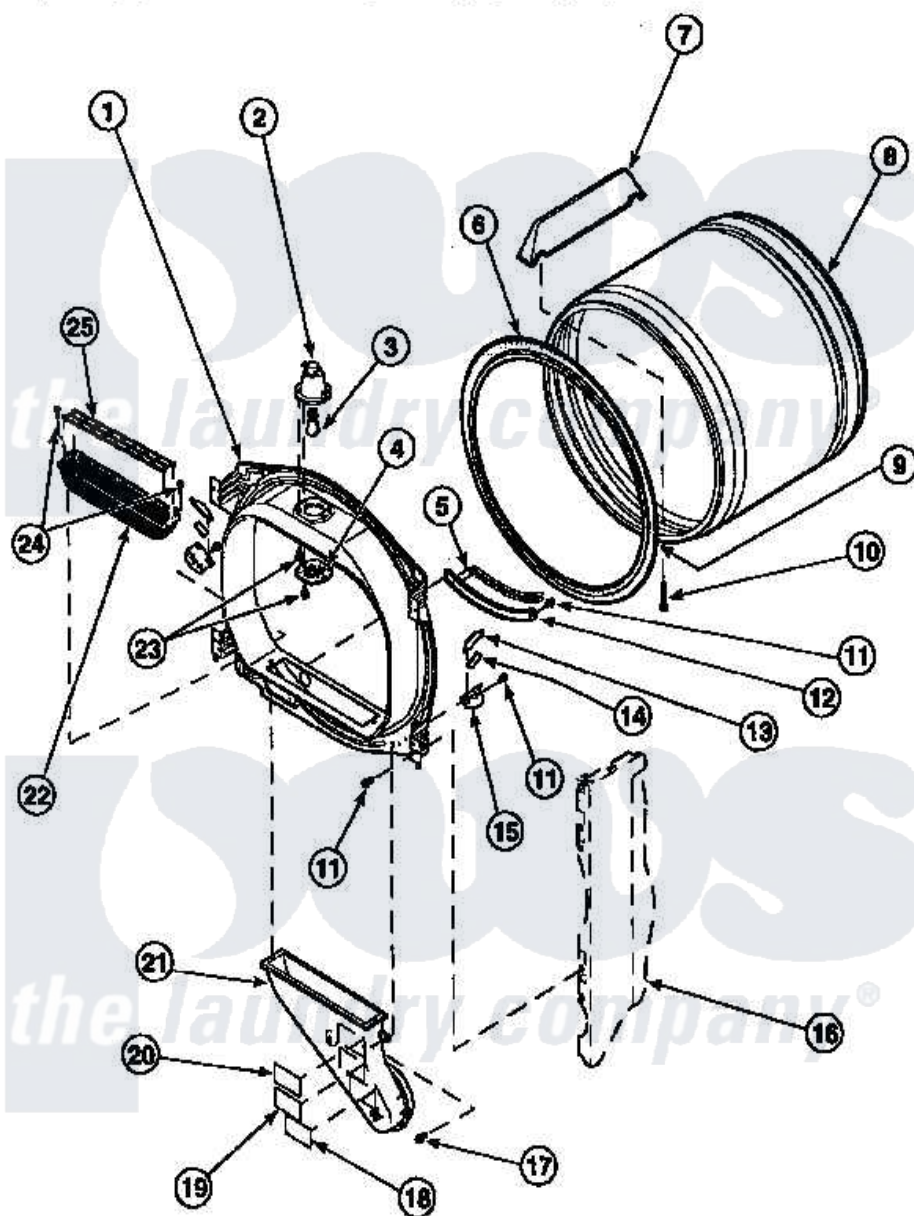


**Amana LG8319W2 (BOM: PLG8319W2) 03 - FR BLKHD, AIR DUCT, FELT SEAL & CYLINDER**



Amana Residential Amana LG8319W2 (BOM: PLG8319W2) Dryer Parts Parts Diagram 03 - FR BLKHD, AIR DUCT, FELT SEAL & CYLINDER  
 Click on the part number to view part

Item	Original Part Number	Replaced By	Status	Part Description
1	500117W		Not Available	ASSY,BULKHEAD-FRONT-COMP
2	500153		Not Available	CYLINDER LIGHT HOUSING
6	501801	<a href="#">37001132</a>		Seal, Cylinder
7	500022	<a href="#">510102</a>		Baffle- SH
8	500013WP		Not Available	ASSY,CYLINDER-HOME-
9	22506P	<a href="#">511637P</a>		Adh Dow 737 Clr 3 Oz Tube
10	<a href="#">Y62588</a>			Screw, 10BT-12 X 1 Tap
13	Y501676	<a href="#">37001298</a>		Glide- Dry
15	501554	<a href="#">12002090</a>		Bracket
16	500001P		Not Available	(ADD LETTER BEFORE "P" IN PART
17	Y31645	<a href="#">27001200</a>		Screw
18	56259		Not Available	STICKER
19	500049		Not Available	STICKER

21	502231	Not Available	DUCT, HEAT
22	<a href="#">502140P</a>		Filter, Lint Kit
24	<a href="#">500226</a>		Screw, 8b-16 x 5/8 Tap
25	<a href="#">502092</a>		Cover, Lint Filter

