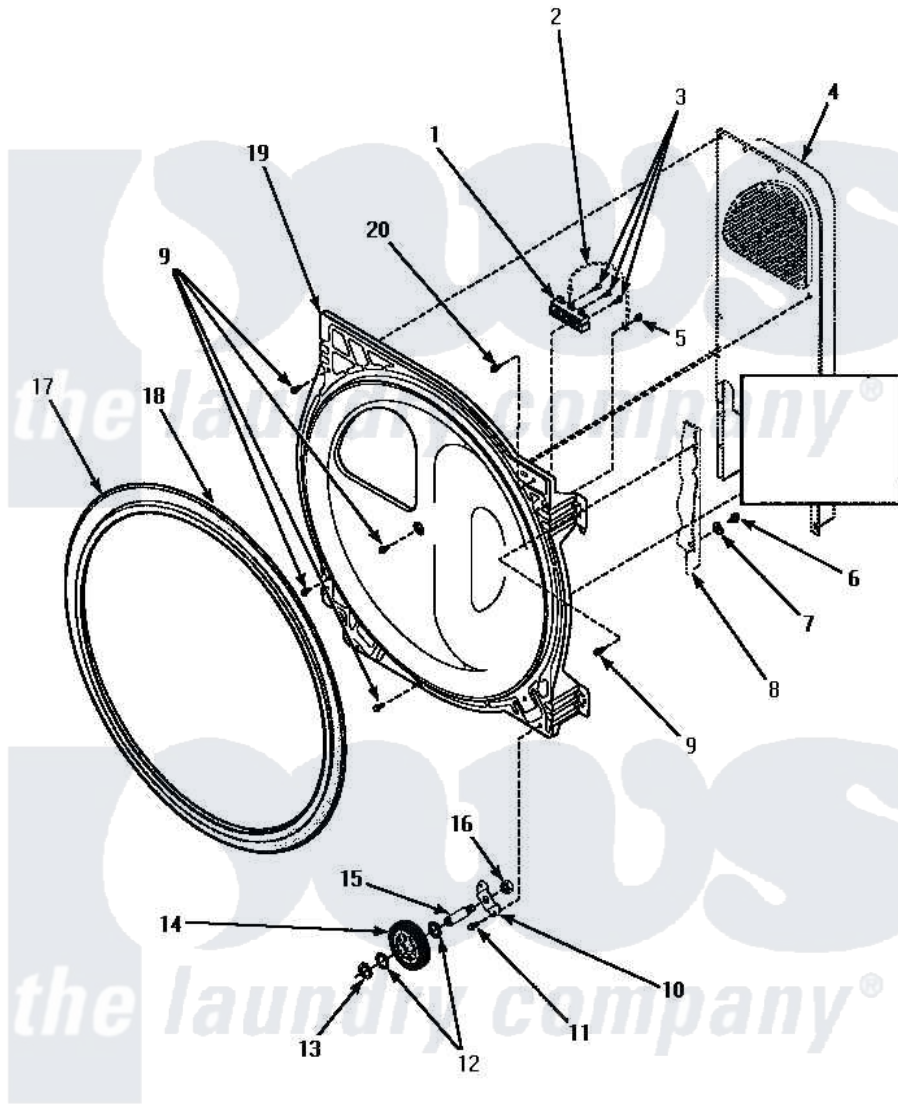


**Amana LG8459W (BOM: PLG8459W) 01 - BULKHEAD/FELT SEAL/CYL ROLLER & TERM BLK**



**REAR BULKHEAD, FELT SEAL, CYLINDER ROLLER AND TERMINAL BLOCK**

Amana [Residential Amana LG8459W \(BOM: PLG8459W\) Dryer Parts](#) Parts Diagram 01 - BULKHEAD/FELT SEAL/CYL ROLLER & TERM BLK

[Click on the part number to view part](#)

| Item | Original Part Number  | Replaced By              | Status        | Part Description                          |
|------|-----------------------|--------------------------|---------------|---|
| 1    | 61923P                | <a href="#">61923</a>    |               | Block, Terminal                           |
| 2    | Y00000000             |                          | Not Available | SEE NOTE GROUND WIRE, GREEN -- (SEE NOTE) |
| 3    | Y61199                | <a href="#">3400094</a>  |               | Screw, 10-32 X 3/8                        |
| 4    | Y00000000             |                          | Not Available | SEE NOTE HEATER BOX ASSEMBLY              |
| 5    | 501668                | <a href="#">503688</a>   |               | Screw, 10B-16 X .34 I                     |
| "    | <a href="#">20530</a> |                          |               | Screw, 10-24 x 3/8 Hex                    |
| 6    | <a href="#">20530</a> |                          |               | Screw, 10-24 x 3/8 Hex                    |
| 7    | 51474                 |                          | Not Available | WASHER, 13/64IDX1/2ODX.                   |
| 8    | Y00000000             |                          | Not Available | SEE NOTE CABINET                          |
| 9    | 501668                | <a href="#">503688</a>   |               | Screw, 10B-16 X .34 I                     |
| 10   | 500062                | <a href="#">40113601</a> |               | Assembly, Roller Brkt                     |
| 11   | 501668                | <a href="#">503688</a>   |               | Screw, 10B-16 X .34 I                     |
| 12   | <a href="#">52549</a> |                          |               | Washer, 501 ID X3/4 Odx                   |

|    |                        |                          |                           |
|----|------------------------|--------------------------|---------------------------|
| 13 | <a href="#">23748</a>  |                          | Ring, Retaining           |
| 14 | 500214                 | <a href="#">37001042</a> | Assembly, Cylinder Roller |
| 15 | <a href="#">56461</a>  |                          | Shaft                     |
| 16 | 56156                  | <a href="#">358160</a>   | Nut                       |
| 17 | 501801                 | <a href="#">37001132</a> | Seal, Cylinder            |
| 18 | 22506P                 | <a href="#">511637P</a>  | Adh Dow 737 Clr 3 Oz Tube |
| 19 | 500356W                | <a href="#">502614WP</a> | Bulkhead, Rear            |
| 20 | <a href="#">501285</a> |                          | Screw, No.12 X 9/16-Pla   |

