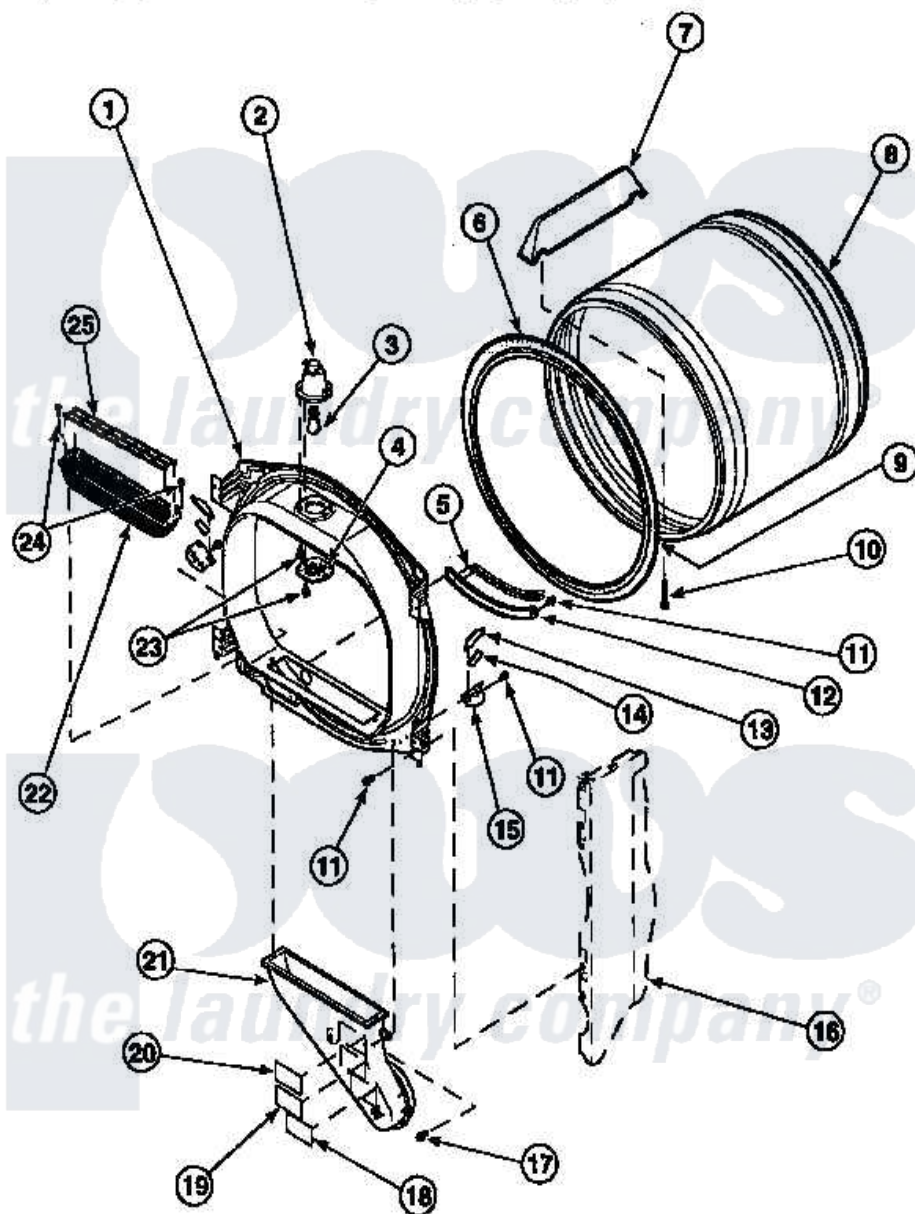


Amana LG8609L2 (BOM: PLG8609L2) 03 - FR BLKHD, AIR DUCT, FELT SEAL & CYLINDER



Amana Residential Amana LG8609L2 (BOM: PLG8609L2) Dryer Parts Parts Diagram 03 - FR BLKHD, AIR DUCT, FELT SEAL & CYLINDER

Click on the part number to view part

Item	Original Part Number	Replaced By	Status	Part Description
1	501556WP		Not Available	ASSY, BULK HEAD FRT COMP
2	500153		Not Available	CYLINDER LIGHT HOUSING
3	Y60954	67001316		Bulb, Light
4	500094		Not Available	LENS,DRUM LIGHT
5	501247			Sensor, Moisture
6	501801	37001132		Seal, Cylinder
7	500022	510102		Baffle- SH
8	500735P		Not Available	ASSY,CYLINDER-HOME
9	22506P	511637P		Adh Dow 737 Clr 3 Oz Tube
10	Y62588			Screw, 10BT-12 X 1 Tap
11	502120	489069		Xxscrew, 10-12 X 1/2
12	501246		Not Available	MOUNTING,MOISTURE SENSOR
13	501553	37001298		Glide- Dry

14	500121	510189	Pad Felt
15	501554	12002090	Bracket
16	500001P		Not Available (ADD LETTER BEFORE "P" IN PART)
17	Y31645	27001200	Screw
18	56259		Not Available STICKER
19	500049		Not Available STICKER
21	502231		Not Available DUCT, HEAT
22	502140P		Filter, Lint Kit
23	500248	M0211530	Screw-SM No.8-18 X 3/8"
24	500226		Screw, 8b-16 x 5/8 Tap
25	502092		Cover, Lint Filter

the laundry company[®]

the laundry company[®]

the laundry company[®]