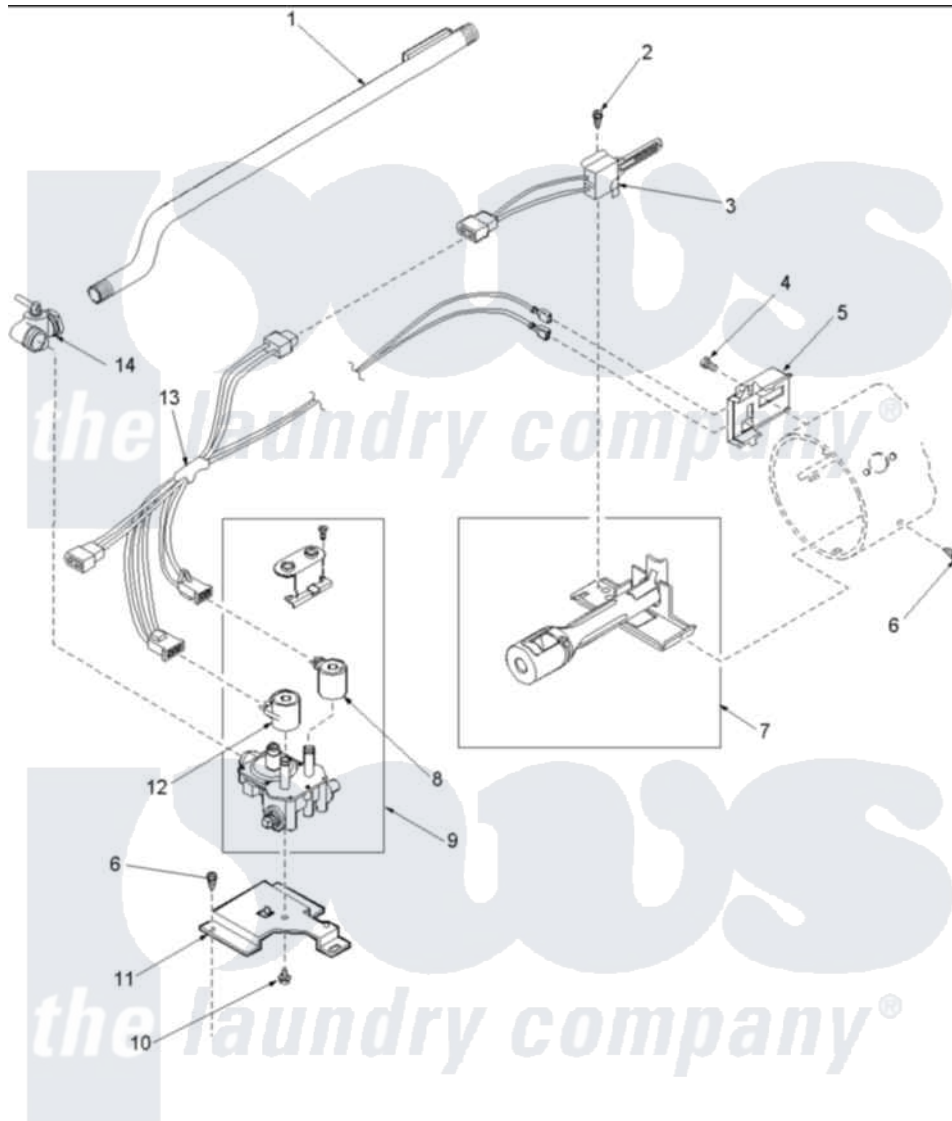


# Amana LGA30AW (BOM: PLGA30AW) 05 - GAS VALVE, IGNITER & GAS CONVERSION KITS



Amana [Residential Amana LGA30AW \(BOM: PLGA30AW\) Dryer Parts](#) Parts Diagram 05 - GAS VALVE, IGNITER & GAS CONVERSION KITS  
 Click on the part number to view part

Item	Original Part Number	Replaced By	Status	Part Description
1	500647	<a href="#">510204</a>		Pipe
2	51782		Not Available	SCREW, 6B-20X5/16
3	503604	<a href="#">37001308</a>		Ignitor
4	23222	<a href="#">3177991</a>		Screw
5	Y56231	<a href="#">338906</a>		Radiant, Sensor
7	Y56234	<a href="#">37001304</a>		Burner Ign
8	58804B	<a href="#">694540</a>		Coil, 60 Hz
9	<a href="#">Y504091</a>			Assembly, Valve-Gas-Single
10	56124	<a href="#">3370225</a>		Screw
11	<a href="#">500821</a>			Bracket, Mounting-Gas
12	58804A	<a href="#">306106</a>		Coil, Holding And Booster-W
13	60641	<a href="#">37001007</a>		Harness, Wire
14	Y56229	<a href="#">510205</a>		Valve-Elbo
NI	<a href="#">650P3</a>			Kit, Gas Burner Conversion
"	649P3	<a href="#">LPK1</a>		LP Gas Con

