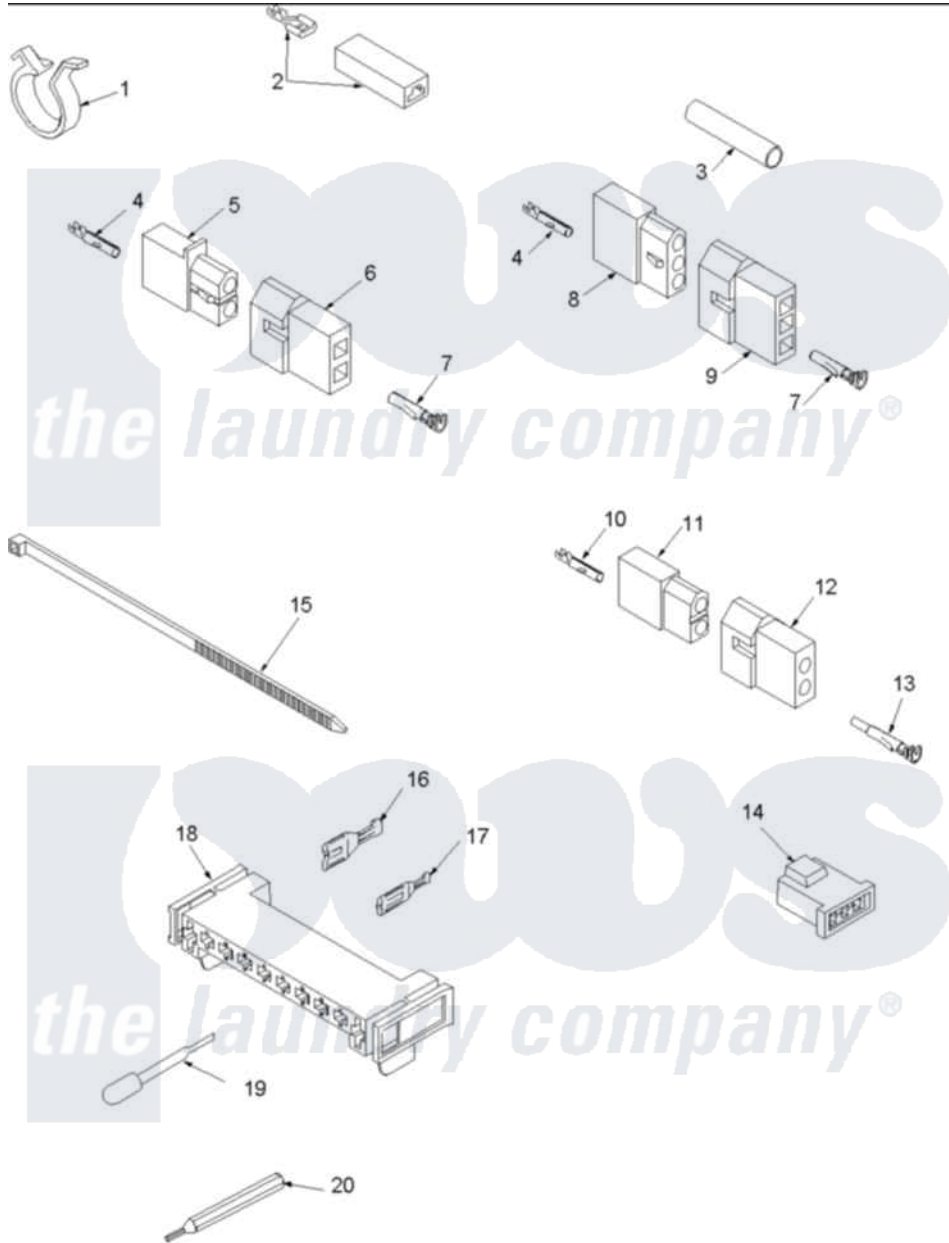


Amana LGA60AW (BOM: PLGA60AW) 10 - TERMINALS AND MOTOR CONNECTION BLOCK



Amana [Residential Amana LGA60AW \(BOM: PLGA60AW\) Dryer Parts](#) Parts Diagram 10 - TERMINALS AND MOTOR CONNECTION BLOCK

[Click on the part number to view part](#)

| Item | Original Part Number | Replaced By | Status | Part Description |
|------|------------------------|-------------------------|---------------|--|
| 1 | 504034 | | | Clip, Wire |
| 2 | Y00237 | | | Terminal-Female 1/4 ((1) 12 GAUGE Wire Or(2) 18 GA |
| 3 | Y21365 | 503670 | | Sleeve Insulator |
| 4 | Y00117 | 5011-XX | | 093 Female Socket |
| 5 | 56451 | | | Receptacle, 2 Circuit |
| 6 | 56448 | | | Terminal Block Plug |
| 7 | Y00116 | | | Terminal, Pin-Male |
| 8 | 23039 | 697780 | | Receptacle, |
| 9 | 23040 | | | Plug-3 Circuit |
| 10 | 00130 | | | Terminal, Pin-1/8 Femal |
| 11 | 56265 | | | Receptacle, 2 Circuit |
| 12 | 56266 | | | Plug |
| 13 | Y00127 | | | Terminal, Pin-1/8 Male |
| 14 | 58800 | | Not Available | CONNECTOR-3 CIRCUIT (3 |

| | | | | |
|----|------------------------|--------------------------|---------------|--------------------------------|
| 14 | 36466 | M0321209 | Not Available | CIRCUIT CONNECTOR) |
| 15 | 36466 | | | Tie-Electrical |
| 16 | Y00256 | | | Spade Terminal Or |
| " | 00255 | | Not Available | (1/4 INCH-FOR (1) 12 GAUGE WIR |
| 17 | Y00188 | | | Molex Terminal |
| 18 | 500338 | | | Housing-10 Position |
| 19 | 283P4 | | | Terminal Extractor Tool |
| 20 | 128P4 | | Not Available | (FOR USE ON GAS DRYER TERMINAL |

