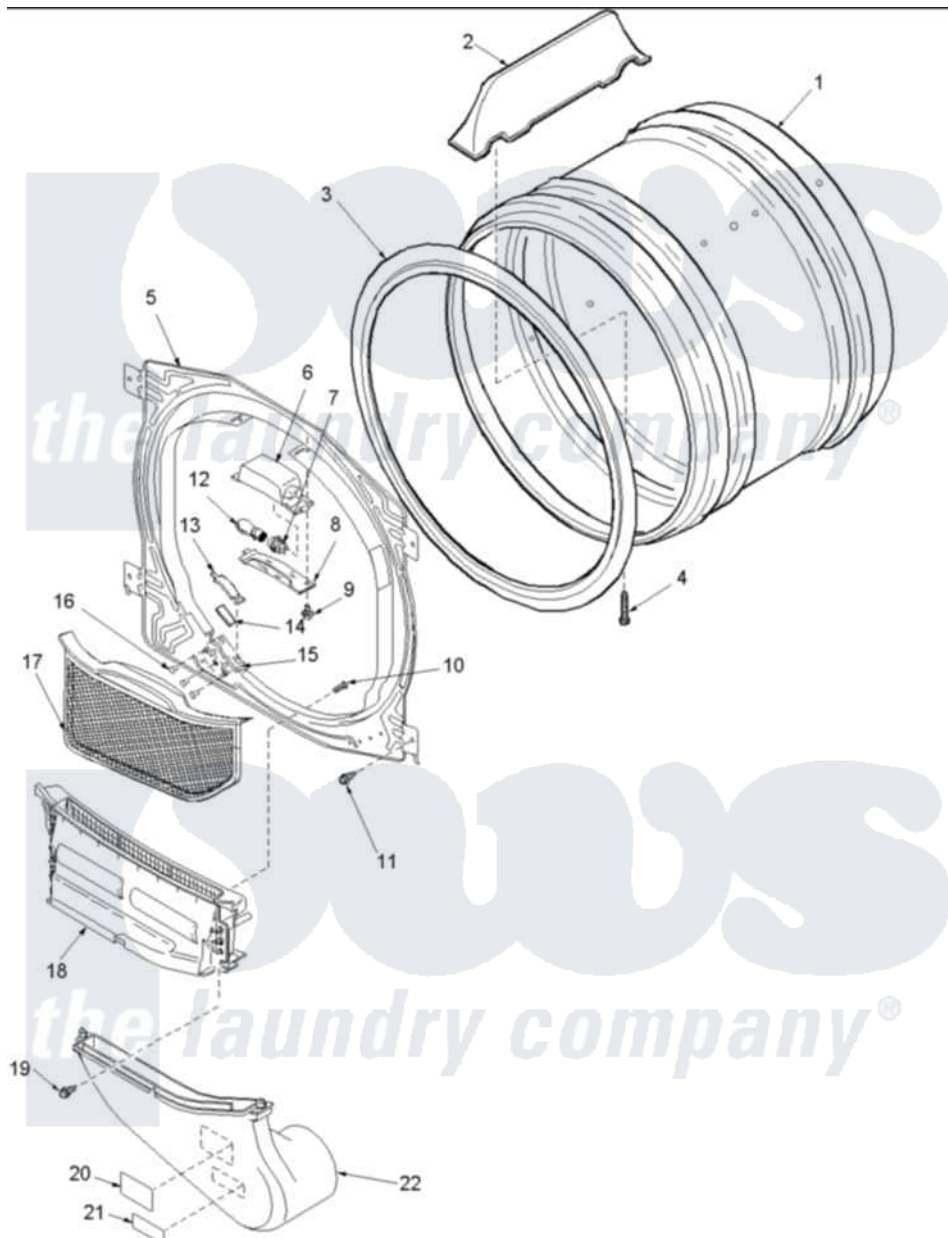


Amana LGC20AW (BOM: PLGC20AW) 04 - FRONT BULKHEAD, AIR DUCT & CYLINDER



Amana Residential Amana LGC20AW (BOM: PLGC20AW) Dryer Parts Parts Diagram 04 - FRONT BULKHEAD, AIR DUCT & CYLINDER

[Click on the part number to view part](#)

Item	Original Part Number	Replaced By	Status	Part Description
1	504467W	504467WP		Cylinder Assembly
2	503703	12002559		Baffle Kit
3	501801	37001132		Seal, Cylinder
4	Y62588			Screw, 10BT-12 X 1 Tap
5	503756W			Assembly, Blkhd Front CO
11	503661	27001200		Screw
13	Y501676	37001298		Glide- Dry
14	500092	510189		Pad Felt
15	37001036			Bracket, Cylinder Glide
16	37001031	3370225		Screw
17	Y503627	37001142		Filter, Lint
18	505528	37001141		Air Duct Assembly
20	500049		Not Available	STICKER
21	Y0056529		Not Available	SCREW
22	Y503626	37001141		Air Duct Assembly

