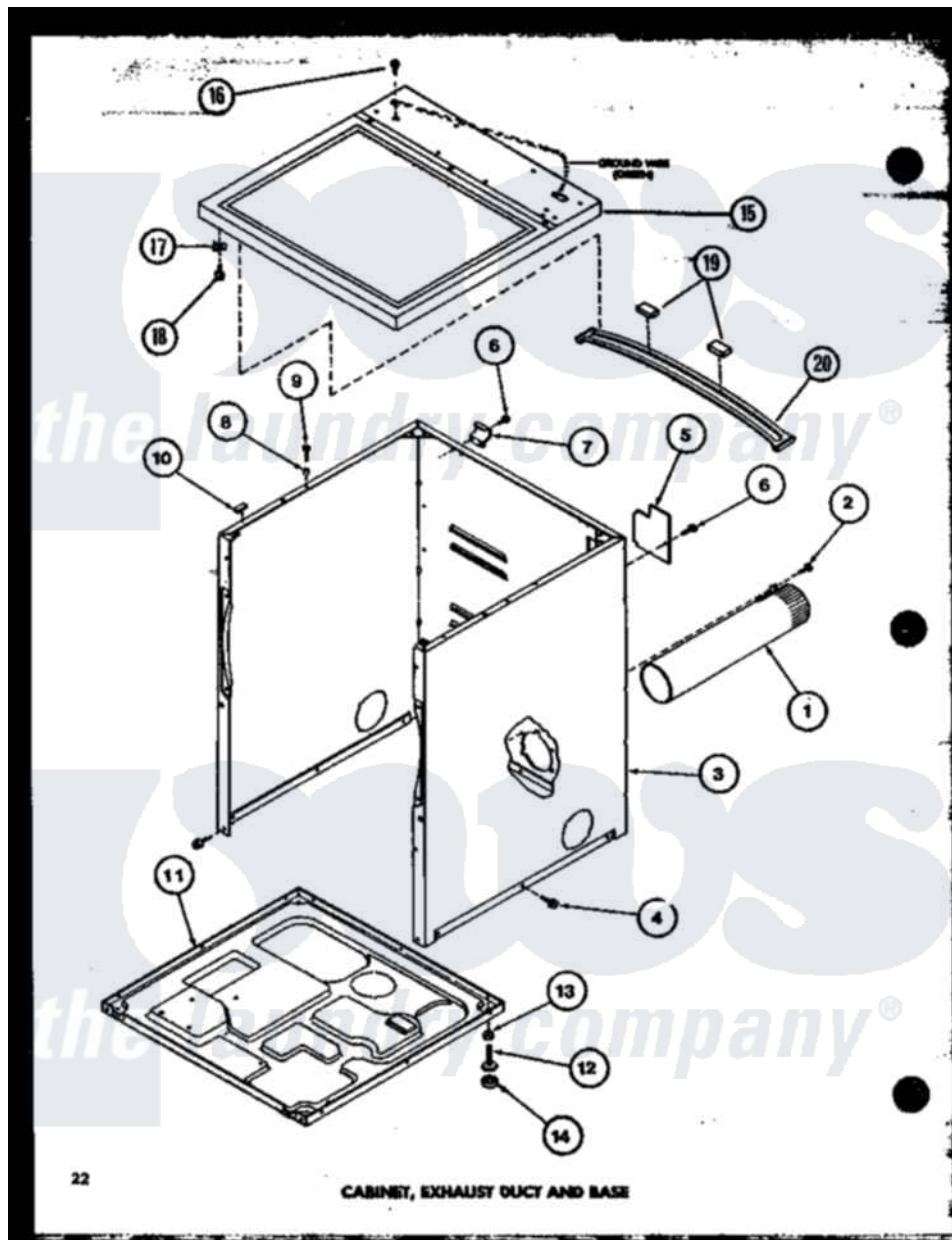


# Amana LGD951 (BOM: P7804808W W) 01 - CABINET. EXHAUST DUCT AND BASE



Amana Residential Amana LGD951 (BOM: P7804808W W) Washer Parts Parts Diagram 01 - CABINET. EXHAUST DUCT AND BASE

[Click on the part number to view part](#)

Item	Original Part Number	Replaced By	Status	Part Description
1	R0603041		Not Available	DUCT, EXHAUST
2	R0600052		Not Available	SCREW, HEX HEAD
3	R0603068		Not Available	xxxASSY, DRYER CABINET
"	R0603067		Not Available	CABINET H GOLD
"	R0603118		Not Available	CABINET W
4	R0600028	<a href="#">27001200</a>		Screw
5	R0603040	<a href="#">60821</a>		Access Cover
6	R0600017		Not Available	SCREW
7	R0605567		Not Available	HINGE
8	R0603524	<a href="#">505187</a>		Locator, Panel
9	R0600031	<a href="#">Y014874</a>		Screw, Idler Arm And Sleeve
10	R0606519	<a href="#">Y56128</a>		Pad, Bumper
11	R0603028	<a href="#">60811</a>		Assembly, Base-Complete
12	R0600051	<a href="#">Y305086</a>		Adjustable Leg And Nut
13	R0601021	<a href="#">62739</a>		Nut, Lock

14	R0606525	<a href="#">Y314137</a>	Foot, Rubber	
15	R0603111		Not Available	PANEL, TOP ASSY
"	R0603113		Not Available	CABINET TOP
"	R0603112		Not Available	CABINET TOP
16	R0600055	<a href="#">20530</a>	Screw, 10-24 x 3/8 Hex	
17	R0601005	<a href="#">36020</a>	Nut-10-24	
18	R0600010		Not Available	SCREW
19	R0606520		Not Available	PAD
20	R0605550		Not Available	BRACE

