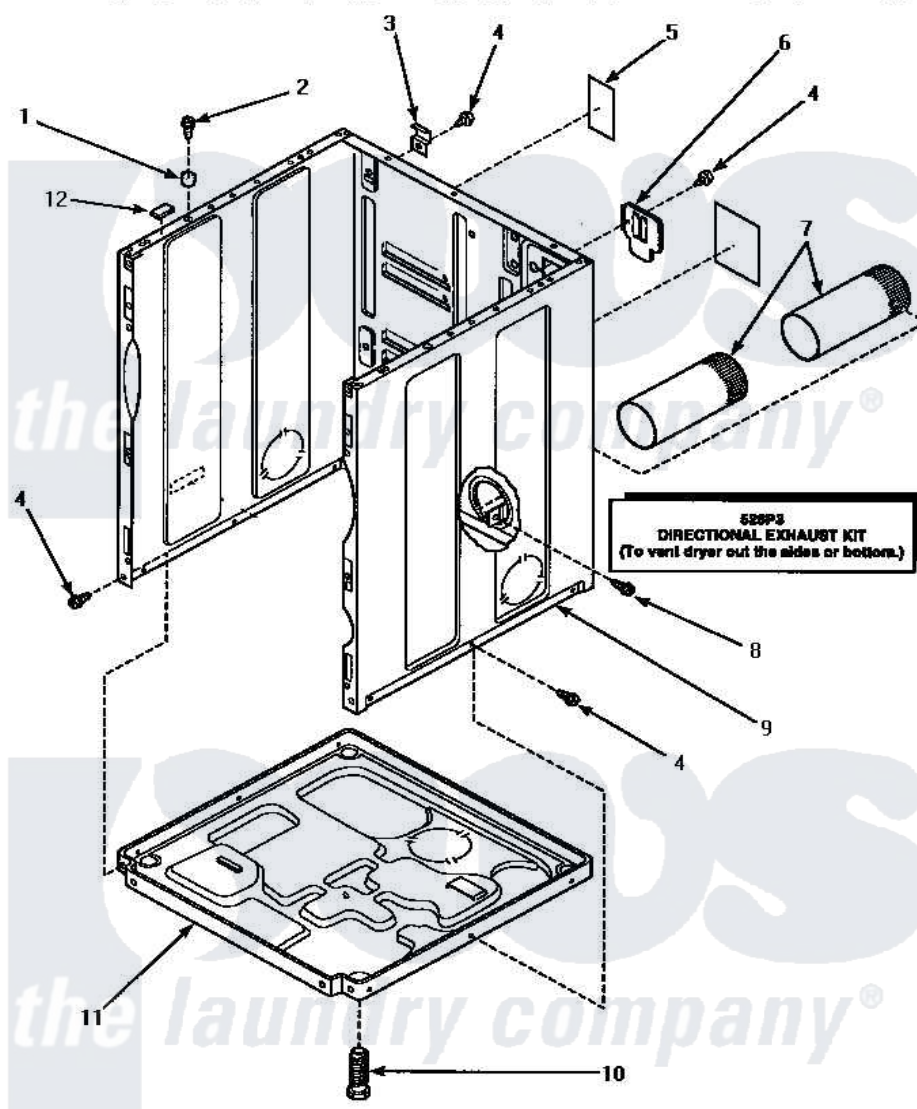


# Amana LGM439W (BOM: P1176603W W) 03 - CABINET, EXHAUST DUCT & BASE



## CABINET, EXHAUST DUCT AND BASE

Amana [Residential Amana LGM439W \(BOM: P1176603W W\) Dryer Parts](#) Parts Diagram 03 - CABINET, EXHAUST DUCT & BASE

[Click on the part number to view part](#)

Item	Original Part Number	Replaced By	Status	Part Description
1	56079	<a href="#">505187</a>		Locator, Panel
2	32671	<a href="#">Y014874</a>		Screw, Idler Arm And Sleeve
3	<a href="#">500003</a>			Hinge, Top
4	33562	<a href="#">27001200</a>		Screw
5	500670		Not Available	STICKER NG OR MIXED GA
6	500114	<a href="#">510903</a>		Plate Access Panel
7	500064	<a href="#">505518</a>		Duct, Exhaust
8	501668	<a href="#">503688</a>		Screw, 10B-16 X .34 I
9	500001WP	<a href="#">37001284</a>		Cabinet As Pack
"	500001HP		Not Available	ASSY, CABINET
"	500001LP	<a href="#">727P3L</a>		Kit Dryer Panels
10	<a href="#">Y500101</a>			Leg, Leveling
11	<a href="#">500070</a>			Base, Dryer
12	<a href="#">Y56128</a>			Pad, Bumper
NI	<a href="#">528P3</a>			Directional Exhaust Kit

