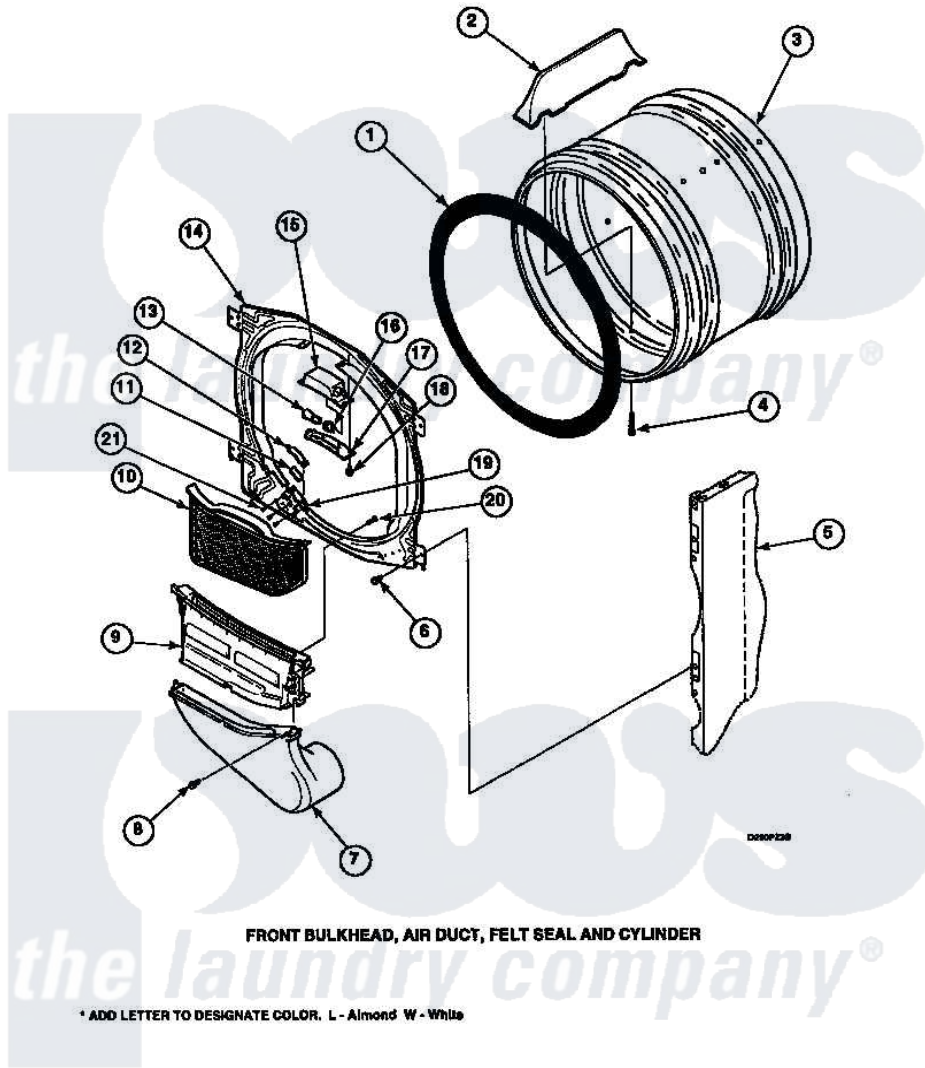


**Amana LGS19AW (BOM: PLGS19AW) 04 - FR BLKHD, AIR DUCT, FELT SEAL & CYLINDER**



RP320004 (504010)  
Rev. 0

16

Amana Residential Amana LGS19AW (BOM: PLGS19AW) Dryer Parts Parts Diagram 04 - FR BLKHD, AIR DUCT, FELT SEAL & CYLINDER

Click on the part number to view part

Item	Original Part Number	Replaced By	Status	Part Description
1	501801	<a href="#">37001132</a>		Seal, Cylinder
2	503703	<a href="#">12002559</a>		Baffle Kit
3	<a href="#">504467WP</a>			Cylinder Assembly
4	<a href="#">Y62588</a>			Screw, 10BT-12 X 1 Tap
5	500001P		Not Available	(ADD LETTER BEFORE "P" IN PART
6	503661	<a href="#">27001200</a>		Screw
7	Y503626	<a href="#">37001141</a>		Air Duct Assembly
8	<a href="#">501285</a>			Screw, No.12 X 9/16-Pla
9	Y504203	<a href="#">37001141</a>		Air Duct Assembly
10	Y503627	<a href="#">37001142</a>		Filter, Lint
11	500092	<a href="#">510189</a>		Pad Felt
12	Y501676	<a href="#">37001298</a>		Glide- Dry
13	Y60954	<a href="#">67001316</a>		Bulb, Light
14	503758W	<a href="#">503756W</a>		Assembly, Blkhd Front CO

15	503622	<a href="#">Y504452</a>	Light Assembly
16	504458	<a href="#">Y504452</a>	Light Assembly
17	Y503623	<a href="#">40094301</a>	Lens, Light
18	500227	<a href="#">505295</a>	Screw, No.8ab-16 x 3/4 PH
19	501554	<a href="#">12002090</a>	Bracket
20	<a href="#">500226</a>		Screw, 8b-16 x 5/8 Tap
21	504540	Not Available	(USED TO FASTEN 501554 GLIDE B
NI	22506P	<a href="#">511637P</a>	Adh Dow 737 Clr 3 Oz Tube

