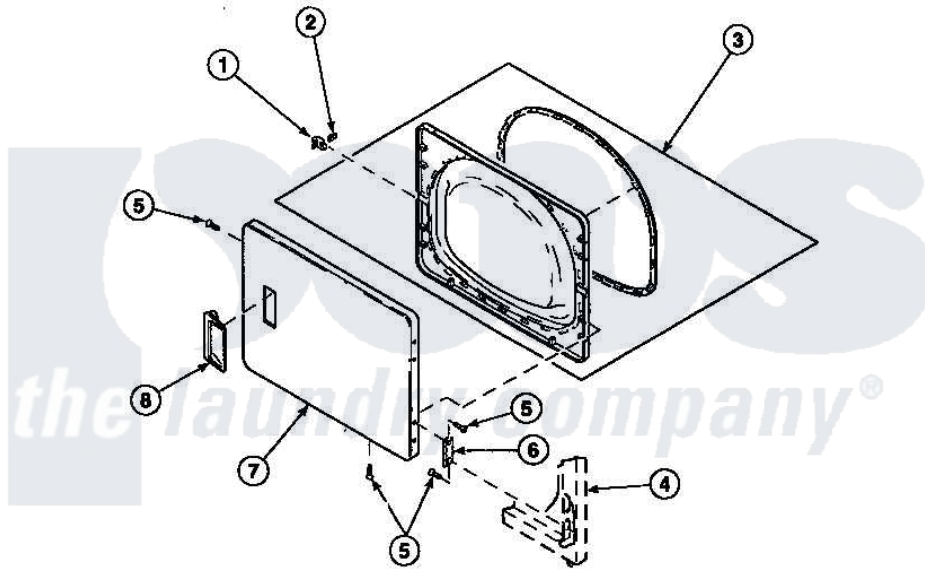


# Amana LGS19AW (BOM: PLGS19AW) 10 - LOADING DOOR



D287P23B

## LOADING DOOR

\* ADD LETTER TO DESIGNATE COLOR. L - Almond W - White

RP3200054 (504010)  
Rev. 0

12

Amana [Residential Amana LGS19AW \(BOM: PLGS19AW\) Dryer Parts](#) Parts Diagram 10 - LOADING DOOR  
 Click on the part number to view part

Item	Original Part Number	Replaced By	Status	Part Description
1	500223	<a href="#">40116201</a>		Bracket, Door Strike
2	500039	<a href="#">510181</a>		Strike Doormetal
3	503643W	<a href="#">37001028</a>		Seal And Liner, Assembly
4	503656		Not Available	(ADD LETTER L-L, W-W TO PART N)
5	505050	<a href="#">500226</a>		Screw, 8b-16 x 5/8 Tap
6	<a href="#">Y503676</a>			Hinge, Door And Top
7	503654		Not Available	(ADD LETTER L-L, W-W TO PART N)
8	503646		Not Available	DOOR PULL (ADD LETTER L-L, W-W TO PART N)