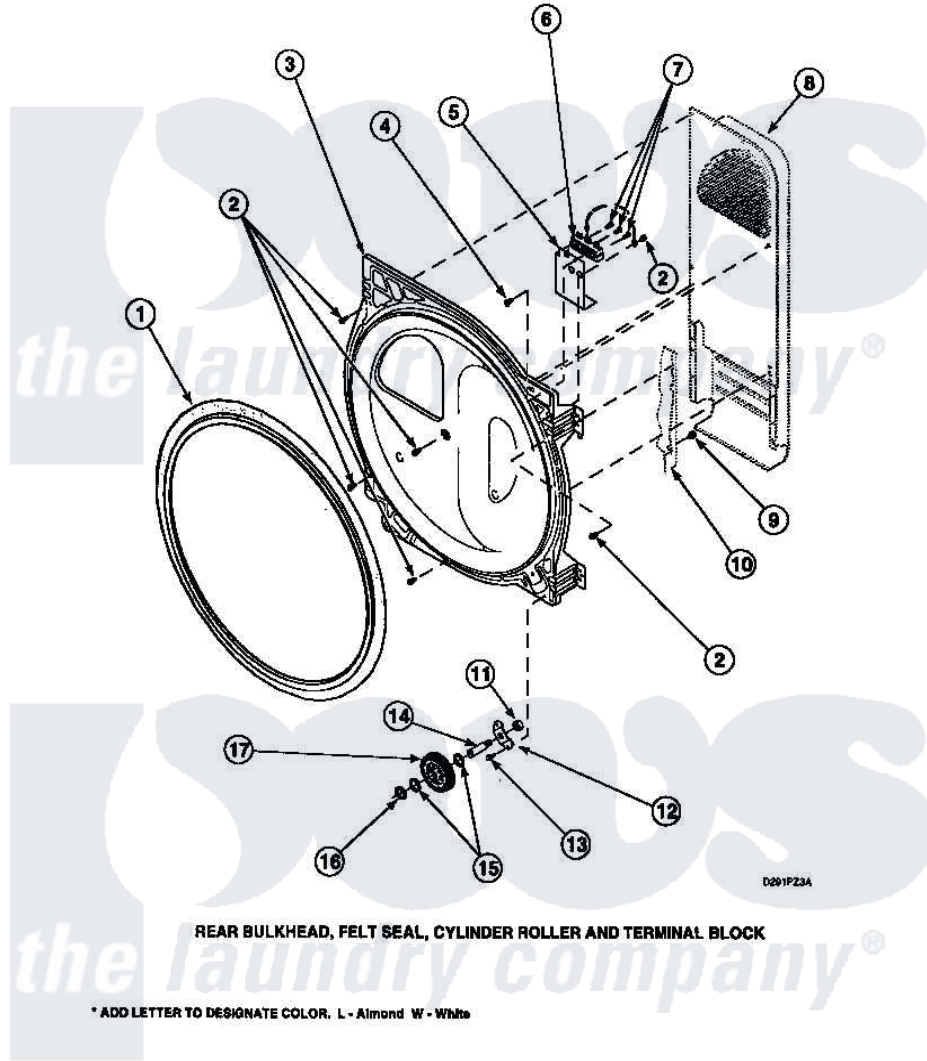


Amana LGS33AW (BOM: PLGS33AW) 01 - BULKHEAD/FELT SEAL/CYL ROLLER & TERM BLK



RP3200004 (504010)
Rev. 0

20

Amana [Residential Amana LGS33AW \(BOM: PLGS33AW\) Dryer Parts](#) Parts Diagram 01 - BULKHEAD/FELT SEAL/CYL ROLLER & TERM BLK

[Click on the part number to view part](#)

Item	Original Part Number	Replaced By	Status	Part Description
1	501801	37001132		Seal, Cylinder
2	503661	27001200		Screw
3	502614W	502614WP		Bulkhead, Rear
4	501285			Screw, No.12 X 9/16-Pla
5	Y504185			Shield, Terminal Block
6	61923P	61923		Block, Terminal
7	501285			Screw, No.12 X 9/16-Pla
"	503688			Screw, 10B-16 X .34 I
8	503607	503605		Assembly, Heater Duct
9	501668	503688		Screw, 10B-16 X .34 I
10	500001P		Not Available	(ADD LETTER BEFORE "P" IN PART
11	56156	358160		Nut
12	500062	40113601		Assembly, Roller Brkt
13	503688			Screw, 10B-16 X .34 I

14	56461		Shaft
15	52549		Washer, 501 ID X3/4 Odx
16	23748		Ring, Retaining
17	500214	37001042	Assembly, Cylinder Roller
NI	22506P	511637P	Adh Dow 737 Clr 3 Oz Tube

