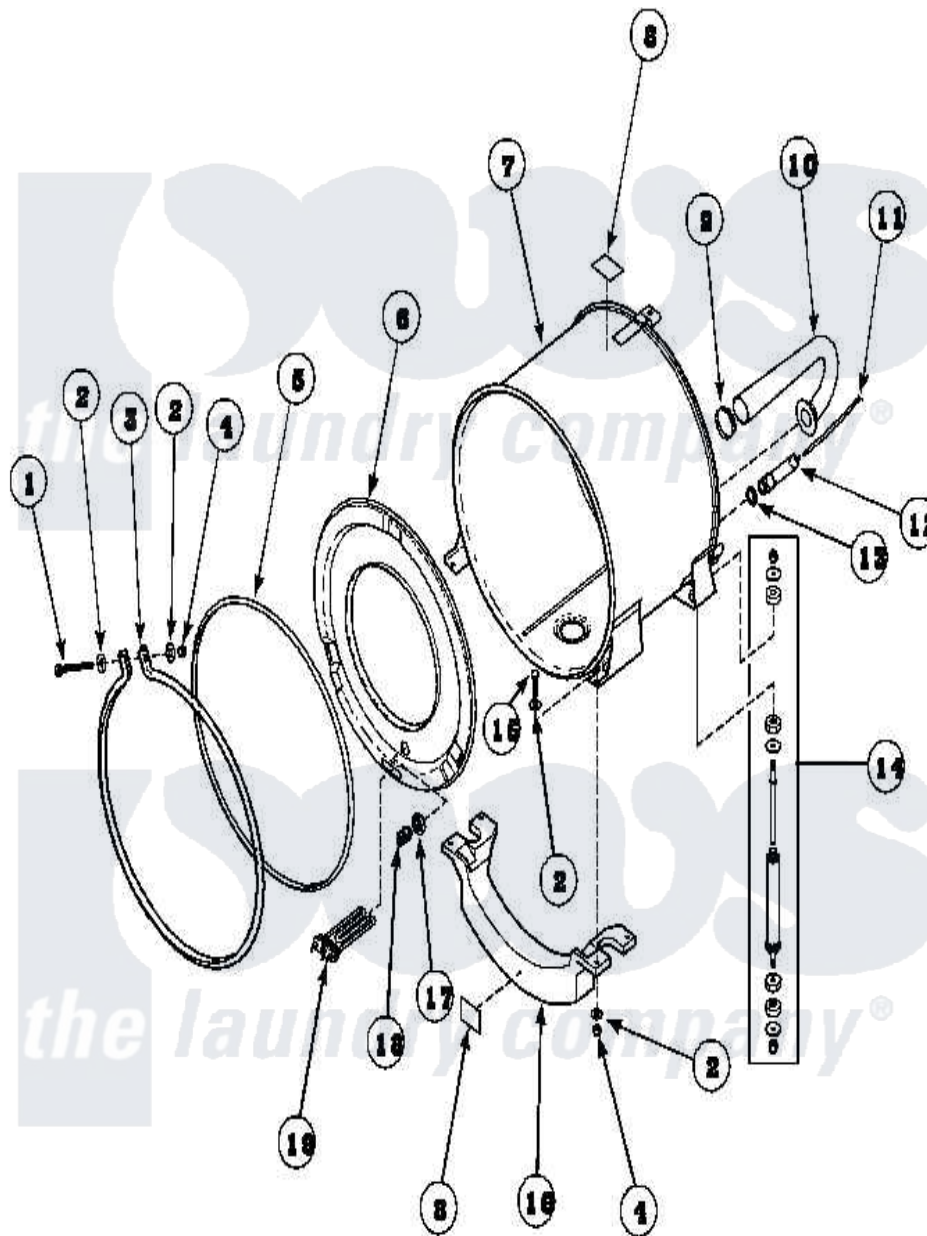


# Amana LTA85AW (BOM: PLTA85AW) 10 - OUTERTUB, FRONT AND CLAMP RING



Amana Residential Amana LTA85AW (BOM: PLTA85AW) Washer Parts Parts Diagram 10 - OUTERTUB, FRONT AND CLAMP RING

[Click on the part number to view part](#)

| Item | Original Part Number   | Replaced By              | Status        | Part Description                |
|------|------------------------|--------------------------|---------------|---------------------------------|
| 1    | 685842                 |                          | Not Available | SCREW, 3/8-16UNCX4 FULL THREAD  |
| 2    | 685812                 |                          | Not Available | WASHER, FLAT 3/8 THICK          |
| 3    | <a href="#">685120</a> |                          |               | Ring, Clamp                     |
| 4    | 685845                 |                          | Not Available | LOCKNUT, 3/8-16 UNC BLACK OXIDE |
| 5    | <a href="#">685123</a> |                          |               | Seal, Outer Tub Front           |
| 6    | 685121                 |                          | Not Available | FRONT, OUTER TUB                |
| 7    | 685002                 |                          | Not Available | ASSY, OUTER TUB                 |
| 8    | 500049                 |                          | Not Available | STICKER                         |
| "    | 500314                 |                          | Not Available | LABEL, WARNING                  |
| 9    | 685725                 |                          | Not Available | CLAMP, HOSE 2.0 DIAM            |
| 10   | 685701                 |                          | Not Available | HOSE, DETERGENT                 |
| 11   | 29214                  |                          | Not Available | TUBING, 48                      |
| 12   | 30907                  | <a href="#">40008501</a> |               | Assembly, Pressure Bulb         |

|    |                        |                          |               |                               |
|----|------------------------|--------------------------|---------------|-------------------------------|
| 13 | 29175                  | <a href="#">40037801</a> | Grommet       |                               |
| 14 | 685604                 |                          | Not Available | ASSY,SHOCK ABSORBER           |
| 15 | 685841                 |                          | Not Available | SCREW,HHCS 3/8-16UNC X1.25GR5 |
| 16 | 685608                 |                          | Not Available | WEIGHT,BALLAST                |
| 17 | 685546                 |                          | Not Available | GROMMET,THERMOSTAT            |
| 18 | <a href="#">685573</a> |                          |               | Thermostat                    |
| 19 | 685500                 |                          | Not Available | ELEMENT,HEATING W/GS          |

