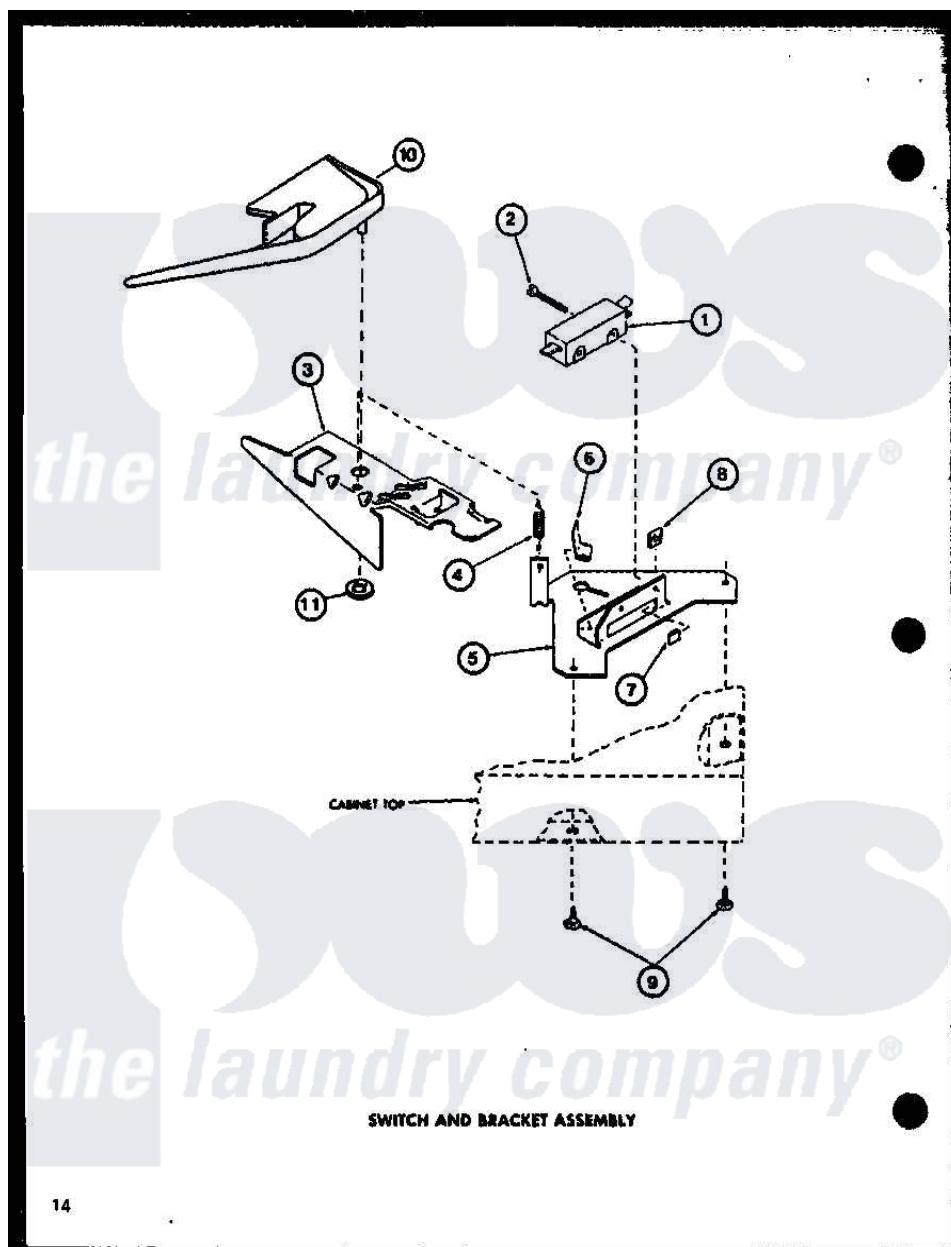


Amana LW1201 (BOM: P1110510W W) 10 - SWITCH AND BRACKET ASSY



Amana [Residential Amana LW1201 \(BOM: P1110510W W\) Washer Parts](#) Parts Diagram 10 - SWITCH AND BRACKET ASSY

[Click on the part number to view part](#)

| Item | Original Part Number | Replaced By | Status | Part Description |
|------|----------------------|------------------------|---------------|--------------------------|
| 1 | R0602507 | 27612 | | Switch, Lid |
| 2 | R0600011 | | Not Available | SCREW |
| 3 | R0605504 | 27602 | | Lever, Out-Of-Bal Switch |
| 4 | R0605506 | | Not Available | SPRING |
| 5 | R0605505 | | Not Available | BRACKET |
| 6 | R0601503 | | Not Available | U-CLIP |
| 7 | R0601504 | 27610 | | Clip, U |
| 8 | R0601006 | | Not Available | NUT |
| 9 | R0600012 | 489464 | | Screw |
| 10 | R0605671 | | Not Available | SWITCH SHIELD |
| 11 | R0601032 | 29043 | | Nut, Push |
| NI | R0603601 | | Not Available | ENCLOSURE, LID SWITCH |