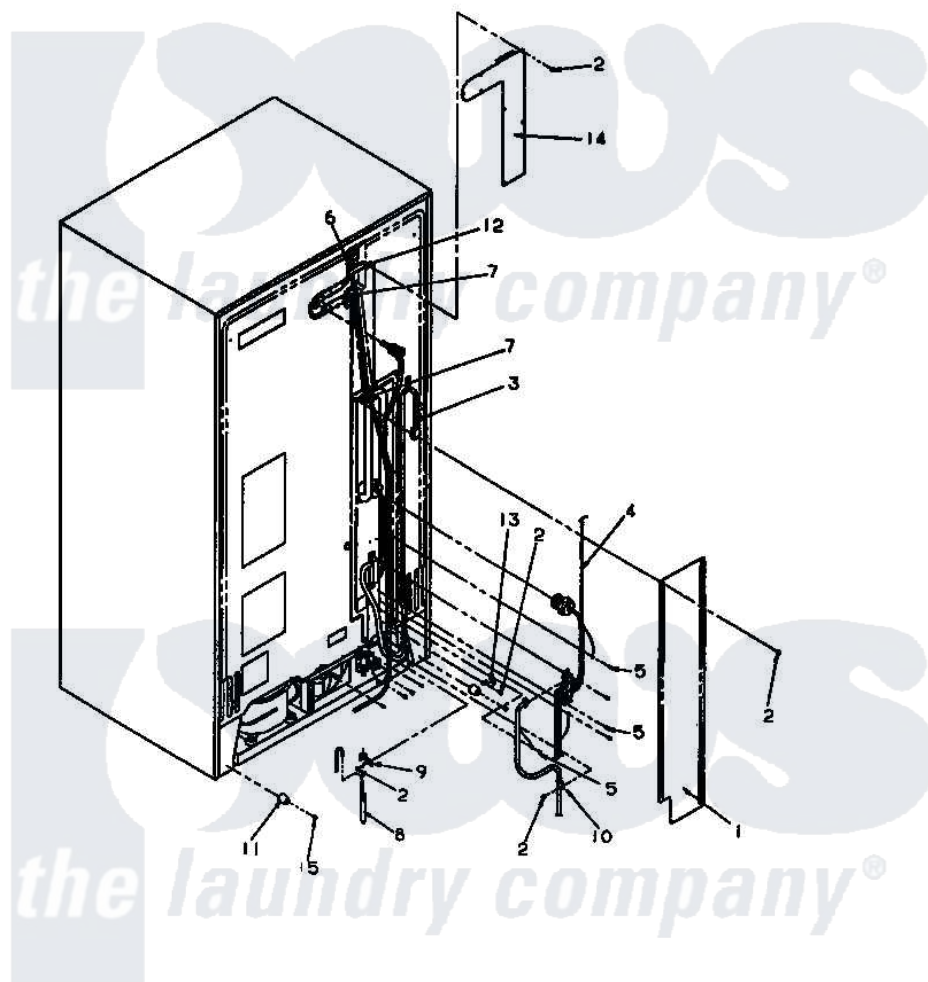


Amana LW2001W2 (BOM: PLW2001W2) 09 - GRAPHIC PANEL, CTRL MTG PLATE AND CTRLS

Back Unit



Amana Residential Amana LW2001W2 (BOM: PLW2001W2) Washer Parts Parts Diagram 09 - GRAPHIC PANEL, CTRL MTG PLATE AND CTRLS

Click on the part number to view part

Item	Original Part Number	Replaced By	Status	Part Description
1	Y34826		Not Available	DIFFUSER,LAMP-CLEAR
2	34823		Not Available	COVER, TOP
3	23962	W10116760		Screw
4	34904	489355		Screw, 8 X 1/2
6	501086	90767		Screw, 8A X 3/8 HeX Washer Head Tapping
7	34815		Not Available	PANEL, END R.H. (BLK)
8	34903		Not Available	PANEL, BACK HOOD (USE 37782)
10	34821		Not Available	CONTROL MOUNTING PLATE
15	34816			Panel, End