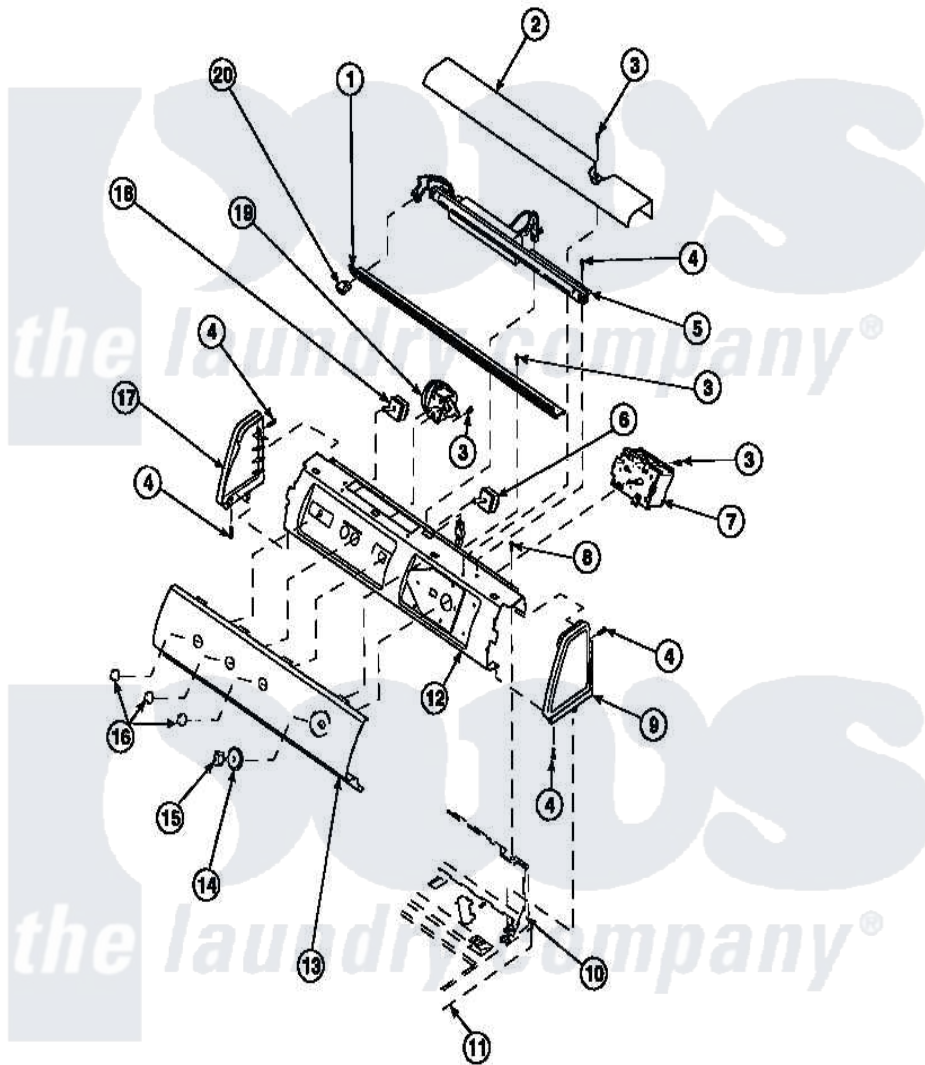


**Amana LW2001W2 (BOM: PLW2001W2 B) 16 - GRAPHIC PANEL, CTRL
MTG PLATE AND CTRLS**



Amana Residential Amana LW2001W2 (BOM: PLW2001W2 B) Washer Parts Parts Diagram 16 - GRAPHIC PANEL, CTRL MTG PLATE AND CTRLS
Click on the part number to view part

| Item | Original Part Number | Replaced By | Status | Part Description |
|------|----------------------|---------------------------|---------------|---|
| 3 | 23962 | W10116760 | | Screw |
| 4 | 501086 | 90767 | | Screw, 8A X 3/8 HeX Washer Head Tapping |
| 8 | 34904 | 489355 | | Screw, 8 X 1/2 |
| 10 | 34903 | | Not Available | PANEL, BACK HOOD (USE 37782) |
| 11 | 34902P | | Not Available | TOP |
| 12 | 34821 | | Not Available | CONTROL MOUNTING PLATE |
| 19 | 36045 | 40055101 | | Switch, Pressure |