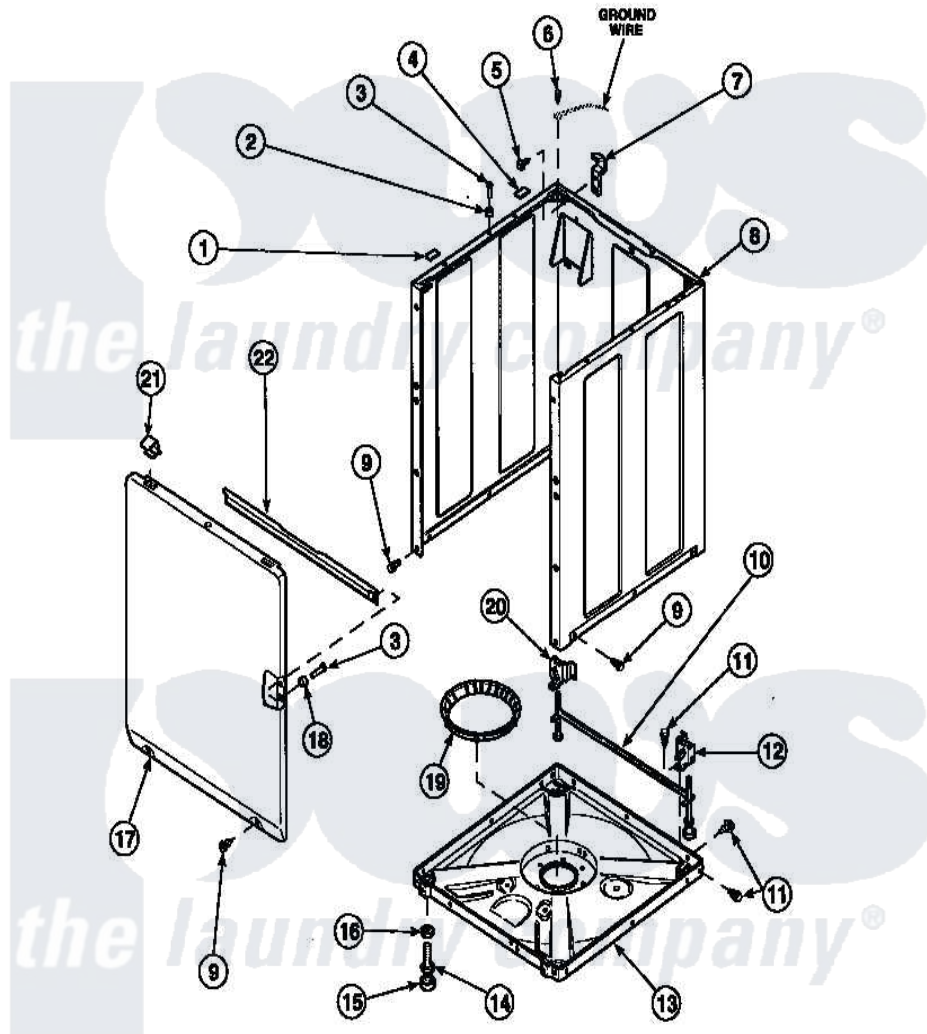


Amana LW2501W2 (BOM: PLW2501W2 B) 08 - FRONT PANEL, BASE ASSY AND CABINET ASSY



Amana Residential Amana LW2501W2 (BOM: PLW2501W2 B) Washer Parts Parts Diagram 08 - FRONT PANEL, BASE ASSY AND CABINET ASSY
 Click on the part number to view part

| Item | Original Part Number | Replaced By | Status | Part Description |
|------|------------------------|---------------------------|---------------|-------------------------------|
| 1 | Y56128 | | | Pad, Bumper |
| 2 | 56079 | 505187 | | Locator, Panel |
| 3 | 32671 | Y014874 | | Screw, Idler Arm And Sleeve |
| 4 | 36226 | | | Pad, Bumper .25 |
| 5 | 34499 | | Not Available | SCREW, No.10B X 1/4 TAP IN HX |
| 6 | 23962 | W10116760 | | Screw |
| 7 | Y27103 | | | Hinge, Hold-Down Lug |
| 8 | 34475P | | Not Available | CABINET |
| 9 | 27196 | 27001200 | | Screw |
| 10 | 34443 | | | Assembly, Leg And Stabilier |
| 11 | 35148 | | Not Available | SCREW, 1/4-14 X 3/8 HX HD |
| 12 | 36036 | | Not Available | BRACKET, SLL-RIGHT |
| 13 | 36599P | | | Assembly Nut/ Leg Base |
| " | 34434P | | | Assembly Nut/Leg Base |

| | | | |
|----|-----------------------|--------------------------|----------------------------------|
| 14 | Y34319 | 22003428 | Leg, Adjustable |
| 15 | 34318 | 40016001 | Foot, Rubber |
| 16 | Y21899 | 40038101 | Nut, Leg |
| 17 | 34656P | Not Available | NOT GOOD No. SEE NOTE PNL, FRONT |
| 18 | 28102 | | Locator, Panel |
| 19 | 36108 | Not Available | SNUBBER PAD & ISOLATOR |
| 20 | 36037 | | Bracket, SII-Left |
| 21 | 35865 | | Clip, Hold-Down Front Panel |
| 22 | Y35097 | Not Available | BRACE, FRT PNL |

