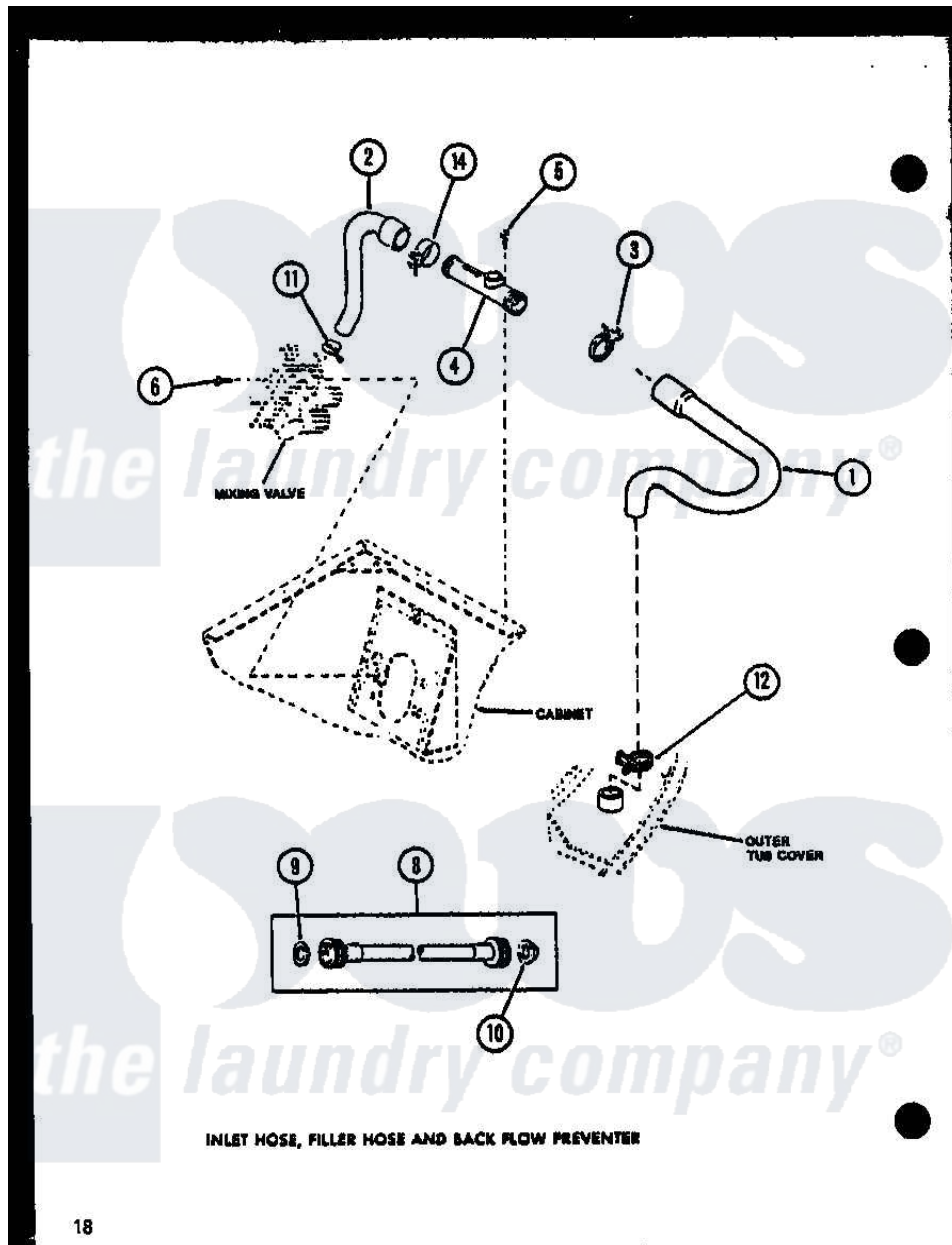


Amana LW2502G (BOM: P1118408W G) 02 - INLET HOSE



18

Amana Residential Amana LW2502G (BOM: P1118408W G) Washer Parts Parts Diagram 02 - INLET HOSE
 Click on the part number to view part

| Item | Original Part Number | Replaced By | Status | Part Description |
|------|----------------------|---------------------------|---------------|-----------------------------|
| 1 | R0606556 | 33186 | | Hose, Water Inlet |
| 2 | R0606503 | 27183 | | Hose, Mixing Valve |
| 3 | R0601541 | 285655 | | Clamp, Hose |
| 4 | R0605507 | 34280 | | Assembly, Backflow Prevento |
| 5 | R0600004 | W10116760 | | Screw |
| 6 | R0600009 | | Not Available | SCREW |
| 8 | R0606504 | 202860 | | Inlet Hose Assembly |
| 9 | R0600505 | Y013783 | | Washer, Inlet Hose |
| 10 | R0600504 | 22002960 | | Strainer, Washer Inlet |
| 11 | R0601505 | 285655 | | Clamp, Hose |
| 12 | R0601542 | 29210 | | Hose Clamp |
| 14 | R0601505 | 285655 | | Clamp, Hose |