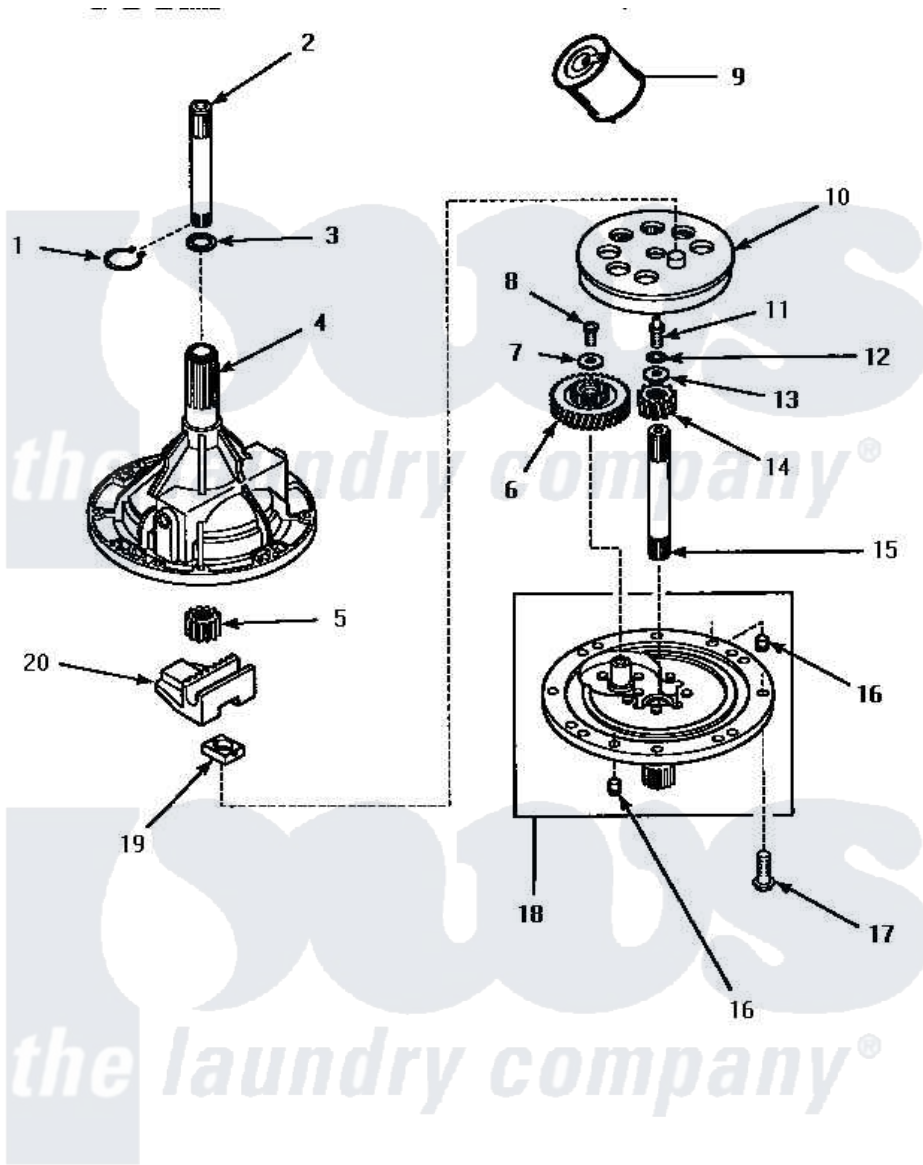


Amana LW3502L (BOM: P1163202W L) 01 - 34526 TRANSMISSION ASSY



34526 TRANSMISSION ASSEMBLY

Amana [Residential Amana LW3502L \(BOM: P1163202W L\) Washer Parts](#) Parts Diagram 01 - 34526 TRANSMISSION ASSY

[Click on the part number to view part](#)

| Item | Original Part Number | Replaced By | Status | Part Description |
|------|------------------------|--------------------------|---------------|------------------------------|
| 1 | 27197 | | | Ring, Retaining |
| 2 | Y36570 | | | Shaft, Output |
| 3 | 35092 | | | Washer, 3628id X 1.00 X .056 |
| 4 | 33223 | | Not Available | ASSY,TRANSMISSION CASE |
| 5 | 27003 | | | Pinion, Agitator |
| 6 | 29161 | | | Gear, Reduction |
| 7 | 29260 | | Not Available | WASHER |
| 8 | 29273 | | | Screw, 1/4-20 X 3/8 |
| 9 | 27243P | | | Oil, CW Transmission F- |
| 10 | 26577 | | | Assembly, Gear And Stud |
| 11 | 27030 | | Not Available | SCREW,1/4-20 SPECIAL |
| 12 | 21456 | | | Lockwasher, 1/4 Intshkp |
| 13 | 26509 | 40041501 | | Washer |
| 14 | Y29160 | | | Pinion, Drive |
| 15 | 34853 | | | Shaft, Input |
| 16 | 27172 | | | Pin, Dowel |

| | | | | |
|----|------------------------|-----------------------|---------------|-------------------------|
| 17 | 32814 | | Not Available | SCREW, 1/4-20X7/8 SERRA |
| 18 | 34854 | 38290 | | Assembly, Cover |
| 19 | 26493 | | | Slide |
| 20 | Y31526 | | | Rack |
| NI | 28434P | | Not Available | LOCTITE |

