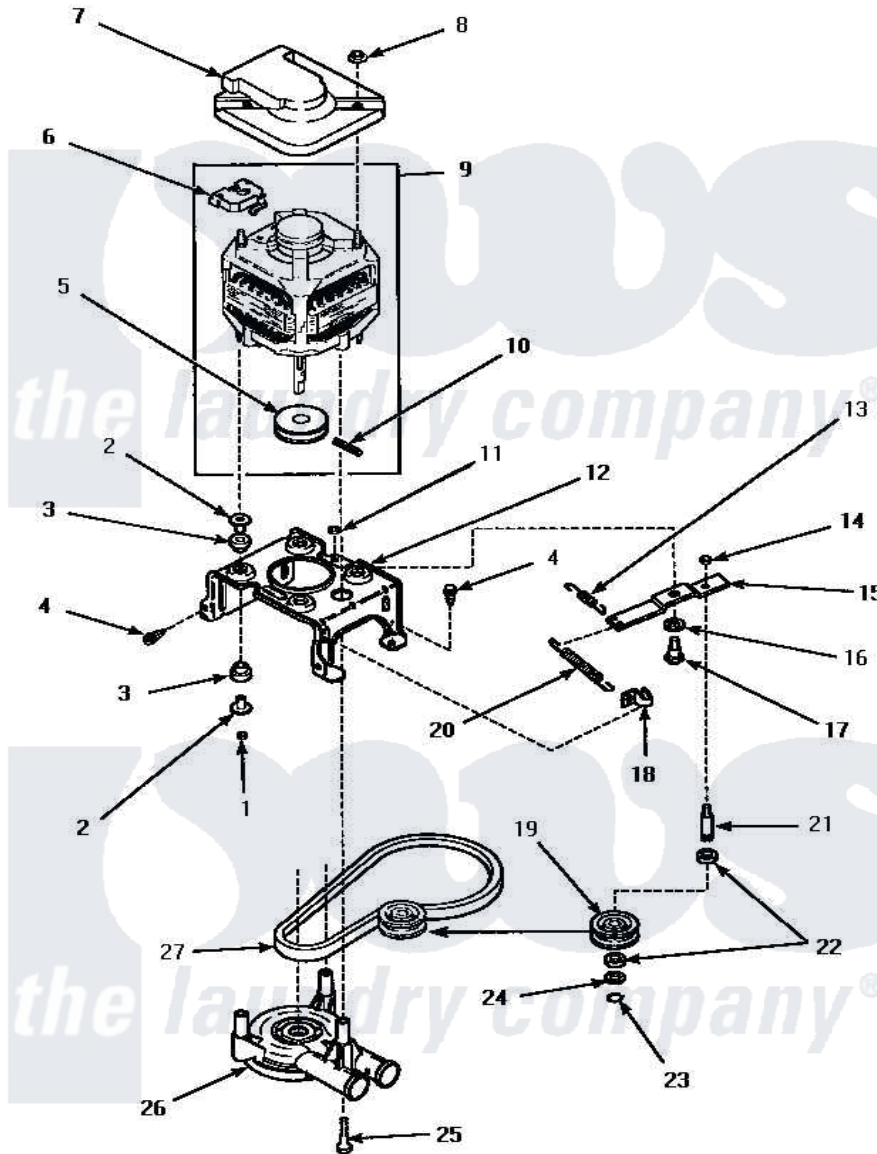


Amana LW3502L (BOM: P1163202W L) 12 - MOTOR, MTG BRKT, BELT, PUMP & IDLER ASSY



MOTOR, MOUNTING BRACKET, BELT, PUMP AND IDLER ASSEMBLY

Amana [Residential Amana LW3502L \(BOM: P1163202W L\) Washer Parts](#) Parts Diagram 12 - MOTOR, MTG BRKT, BELT, PUMP & IDLER ASSY
 Click on the part number to view part

Item	Original Part Number	Replaced By	Status	Part Description
1	35423	3400029		Nut, Adapter Plate
2	34791			Post, Mount-Motor
3	34788			Mount, Motor
4	Y31645	27001200		Screw
5	27171		Not Available	PULLEY,MOTOR
6	35632		Not Available	SWITCH, MOTOR
7	34754	40112301		Shield, Motor
8	35139		Not Available	PALNUT
9	34910	27001215		Motor W/Pulley
"	35032	Y02390002		Drive Belt
10	23750			Pin, Roll
11	52566	27001225		Nut, Jam Mid Lock 1/4-20
12	34890		Not Available	BRACKET,MOTOR MOUNT
13	30620		Not Available	SPRING,IDLER LEVER HEL
14	28803	2221070		Clamp, Nylon

15	31054	40041002	Lever, Idler
16	81392	40054701	Washer
17	27229	40038901	Screw, 1/4-20
18	28849		Clip, Spring
19	28800	Not Available	WHEEL, IDLER
20	33110	37366	Spring, Idler
21	28802		Shaft, Idler
22	Y29443		Washer, Felt
23	23748		Ring, Retaining
24	52549		Washer, 501 ID X3/4 Odx
25	Y34565	40063701	Screw, 10-16 x 1.75
26	35742P	27001233	Pump
27	28808		Belt, Agitate And Spin
NI	258P3	Not Available	KIT, CAPACITOR

