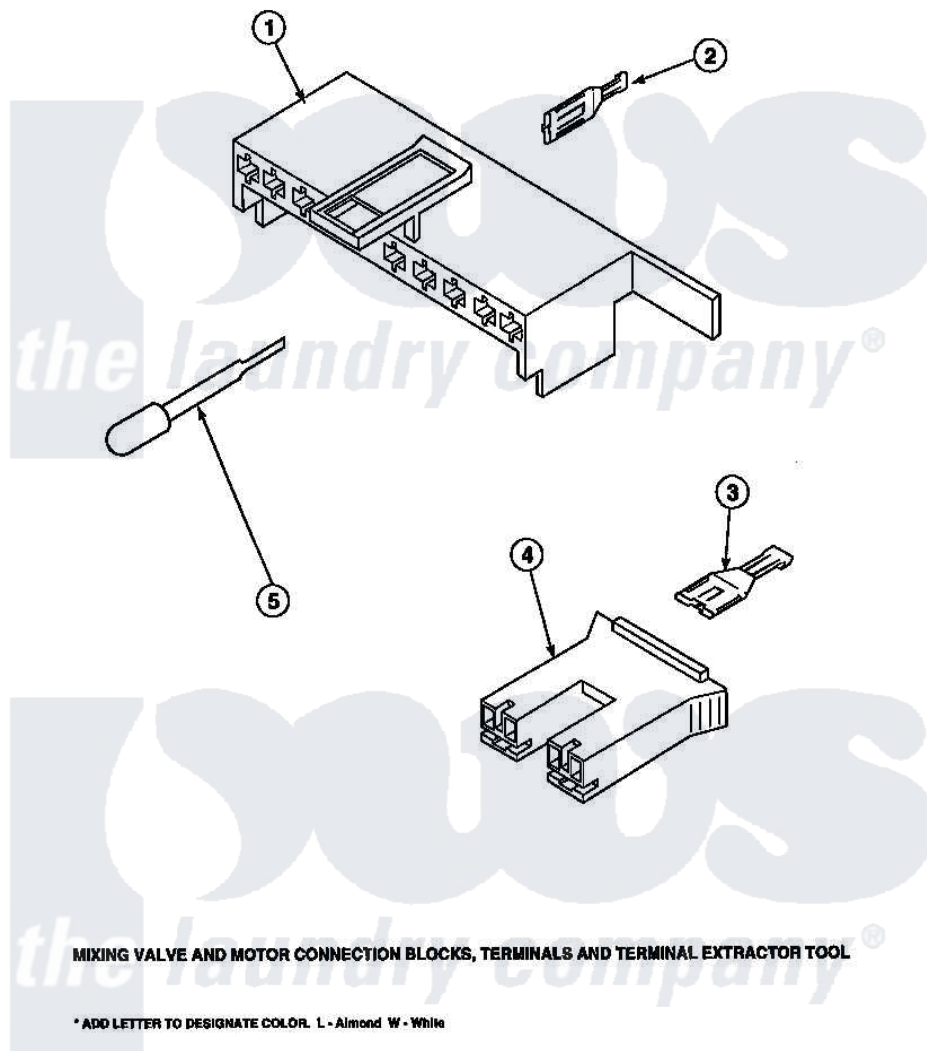


Amana LW3502L2 (BOM: PLW3502L2 A) 19 - MIXING VALVE & MOTOR  
CONN BLOCKS, TERM



Amana Residential Amana LW3502L2 (BOM: PLW3502L2 A) Washer Parts Parts Diagram 19 - MIXING VALVE & MOTOR CONN BLOCKS, TERM  
Click on the part number to view part

Item	Original Part Number	Replaced By	Status	Part Description
1	<a href="#">34677</a>			10 Circuit Plug
2	<a href="#">Y00188</a>			Molex Terminal
3	Y00121		Not Available	SPADE TERMINAL(12 GAUGE) (1/4 INCH-(2) 18 GAUGE WIRES O
4	<a href="#">34676</a>			Plug
"	34675		Not Available	PLUG
5	<a href="#">283P4</a>			Terminal Extractor Tool
NI	34349		Not Available	HOOD HARNESS -
"	<a href="#">35347</a>			Assembly, Wiring Harness
"	<a href="#">36484</a>			Harness Hood
"	<a href="#">35352</a>			Assembly, Wiring Harness-Hood
"	<a href="#">35350</a>			Assembly, Wiring Harness-Hood
"	<a href="#">36059</a>			Assembly, Wiring Harness-Hood

