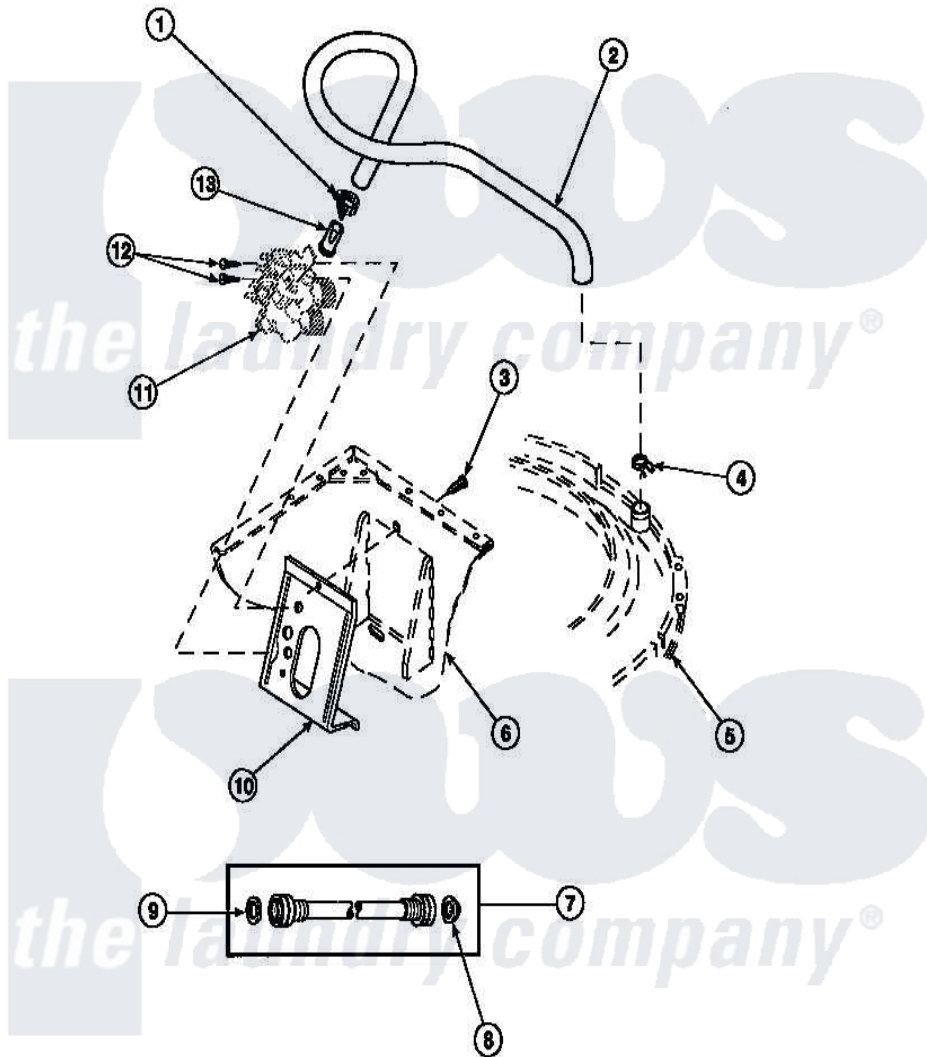


**Amana LW3502L2 (BOM: PLW3502L2 B) 17 - INLET/FILL HOSE & MIXING VLV MTG BRKT**



Amana Residential Amana LW3502L2 (BOM: PLW3502L2 B) Washer Parts Parts Diagram 17 - INLET/FILL HOSE & MIXING VLV MTG BRKT  
 Click on the part number to view part

| Item | Original Part Number   | Replaced By              | Status        | Part Description              |
|------|------------------------|--------------------------|---------------|-------------------------------|
| 1    | 36801                  | <a href="#">596669</a>   |               | Clamp, Manifold               |
| 2    | 35874                  | <a href="#">38155</a>    |               | Hose, Mix Valve To TU         |
| 3    | 33562                  | <a href="#">27001200</a> |               | Screw                         |
| 4    | <a href="#">29210</a>  |                          |               | Hose Clamp                    |
| 5    | <a href="#">36025P</a> |                          |               | Assembly, Tub Coverand Gasket |
| 6    | 34475P                 |                          | Not Available | CABINET                       |
| 7    | 20618                  | <a href="#">21001467</a> |               | Hose- 10'                     |
| "    | 20617                  |                          | Not Available | HOSE, INLET (8 FT)            |
| "    | 28330P                 | <a href="#">202860</a>   |               | Inlet Hose Assembly           |
| 8    | 28605                  | <a href="#">22002960</a> |               | Strainer, Washer Inlet        |
| 9    | 20290                  | <a href="#">Y013783</a>  |               | Washer, Inlet Hose            |
| 10   | 34972                  | <a href="#">39407</a>    |               | Bracket, Valve                |
| 11   | 34963                  | <a href="#">34963P</a>   |               | Valve Mixing Package          |
| 12   | 501086                 | <a href="#">00767</a>    |               | Screw, 8A X 3/8 HeX Washer    |

