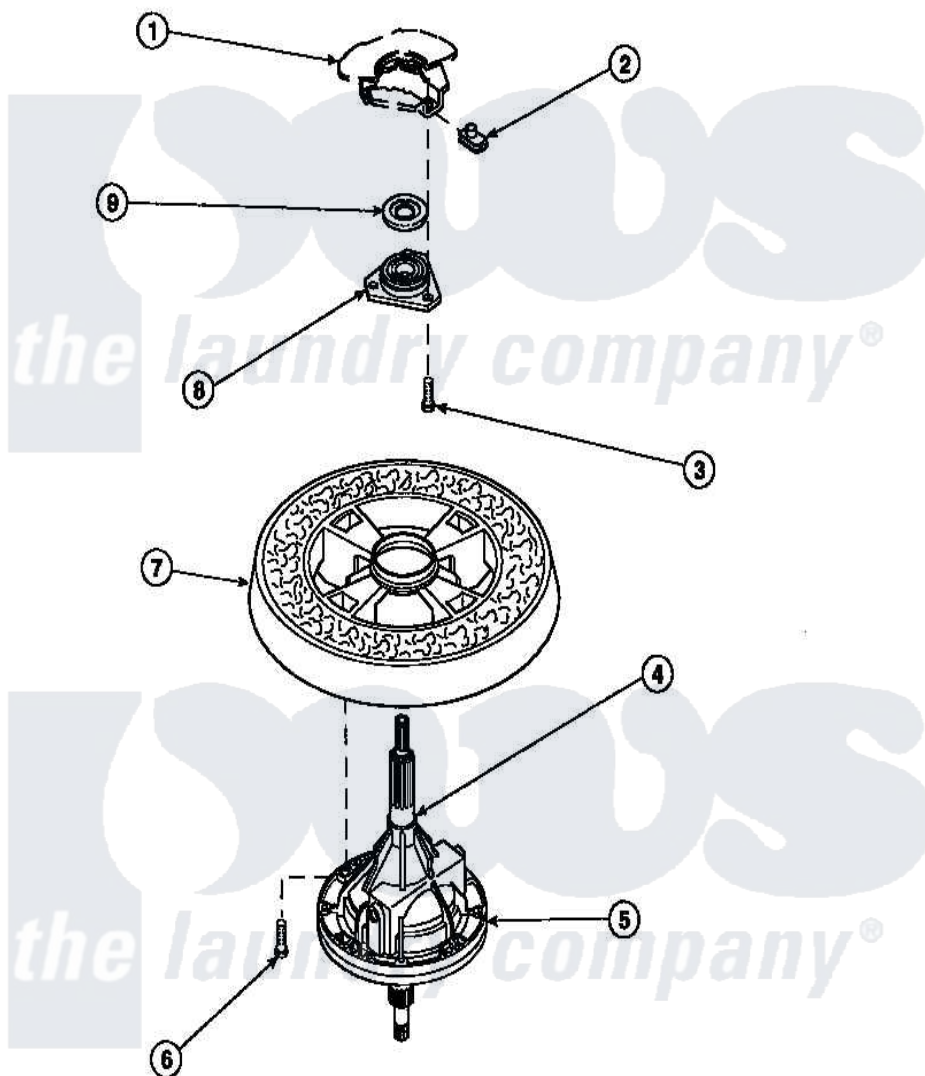


# Amana LW3502L2 (BOM: PLW3502L2 B) 27 - TRANSMISSION ASSY AND BALANCE RING



Amana Residential Amana LW3502L2 (BOM: PLW3502L2 B) Washer Parts Parts Diagram 27 - TRANSMISSION ASSY AND BALANCE RING

Click on the part number to view part

Item	Original Part Number	Replaced By	Status	Part Description
1	<a href="#">34438P</a>			Assembly, Outer Tub
2	<a href="#">27222</a>			Nut, Retainer 5/16-18
3	36991	<a href="#">3400500</a>		Bolt, 3405245 5/16-18 X 3/4
4	<a href="#">27604P</a>			Never-Seeze 1 Oz Tube
5	<a href="#">34526P</a>			Assembly, Transmission
6	37047		Not Available	SCREW, CAP
7	34731		Not Available	ASSY,BALANCE RING-COMPL
8	27182	<a href="#">40004201P</a>		Main Bearing Assembly
9	<a href="#">27187</a>			Flinger