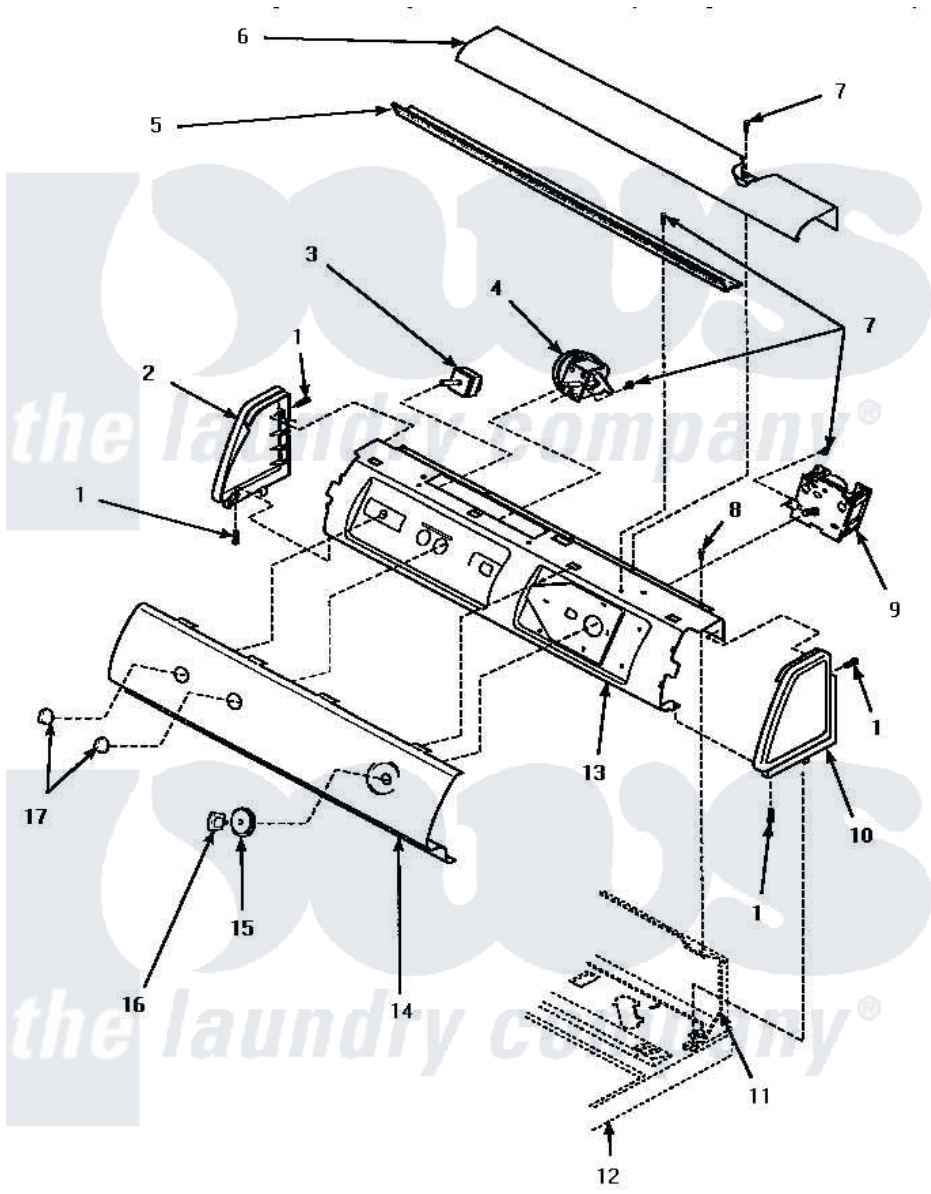


**Amana LW3502W (BOM: P1163201W W) 08 - GRAPHIC PANEL, CTRL  
MTG PLATE & CTRLS**



**GRAPHIC PANEL, CONTROL MOUNTING PLATE AND CONTROLS**

Amana [Residential Amana LW3502W \(BOM: P1163201W W\) Washer Parts](#) Parts Diagram 08 - GRAPHIC PANEL, CTRL  
MTG PLATE & CTRLS

[Click on the part number to view part](#)

Item	Original Part Number	Replaced By	Status	Part Description
"	NOTE:		Not Available	OUTER TUB COVER AND GASKET TOOL IS FOR REMOVAL OF 36025 OUTER TUB COVER FROM OUTER TUB AND INSTALLATION OF 32857 GASKET IN OUTER TUB COVER.
1	501086	<a href="#">90767</a>		Screw, 8A X 3/8 HeX Washer Head Tapping
2	<a href="#">34816</a>			Panel, End
3	<a href="#">35115</a>			Switch, TemPerature 3 P
4	36045	<a href="#">40055101</a>		Switch, Pressure
5	Y34826		Not Available	DIFFUSER,LAMP-CLEAR
6	34823		Not Available	COVER, TOP
7	23962	<a href="#">W10116760</a>		Screw
8	34904	<a href="#">489355</a>		Screw, 8 X 1/2
9	31239	<a href="#">31239P</a>		Timer 3 Cycle Package

10	34815	Not Available	PANEL, END R.H. (BLK)
11	Y00000000	Not Available	SEE NOTE CONTROL HOOD REAR PANEL
12	Y00000000	Not Available	SEE NOTE CABINET TOP
13	34821	Not Available	CONTROL MOUNTING PLATE
14	35317	Not Available	PANEL,GRAPHIC-AMANA
15	<a href="#">34848</a>		Assembly, Timer Skirt
16	34844	Not Available	KNOB,TIMER
17	<a href="#">34847</a>		Assembly, Knob-Rotary

