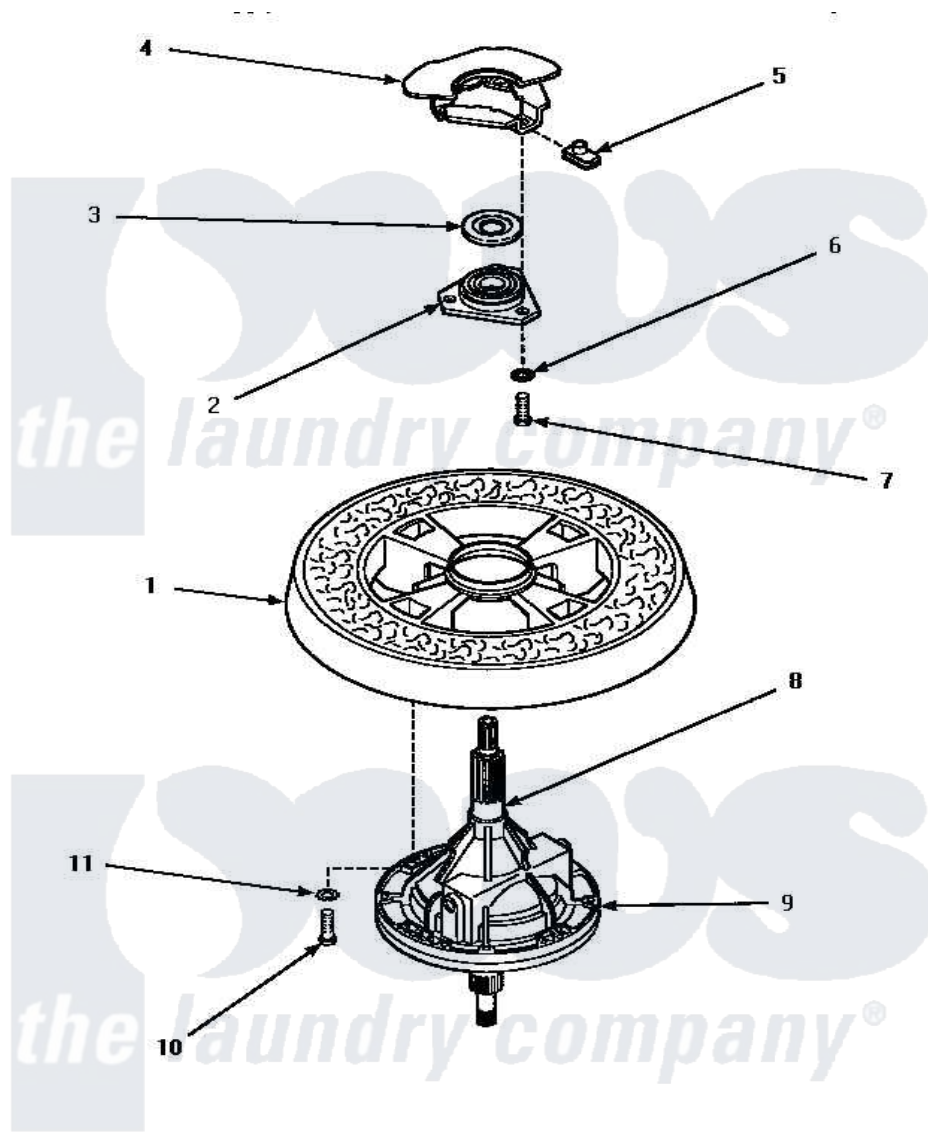


Amana LW3502W (BOM: P1163201W W) 18 - TRANSMISSION ASSY & BALANCE RING



TRANSMISSION ASSEMBLY AND BALANCE RING

Amana Residential Amana LW3502W (BOM: P1163201W W) Washer Parts Diagram 18 - TRANSMISSION ASSY & BALANCE RING

[Click on the part number to view part](#)

Item	Original Part Number	Replaced By	Status	Part Description
1	34731		Not Available	ASSY,BALANCE RING-COMPL
2	27182	40004201P		Main Bearing Assembly
3	27187			Flinger
4	Y00000000		Not Available	SEE NOTE OUTER TUB
5	27222			Nut, Retainer 5/16-18
6	04366			Lockwasher, 5/16intshkp
7	01355		Not Available	SCREW
8	27604P			Never-Seeze 1 Oz Tube
9	Y34526	34526P		Assembly, Transmission
10	27200		Not Available	CAP SCREW
11	02431			Lockwasher, 1/4 Ext Shk