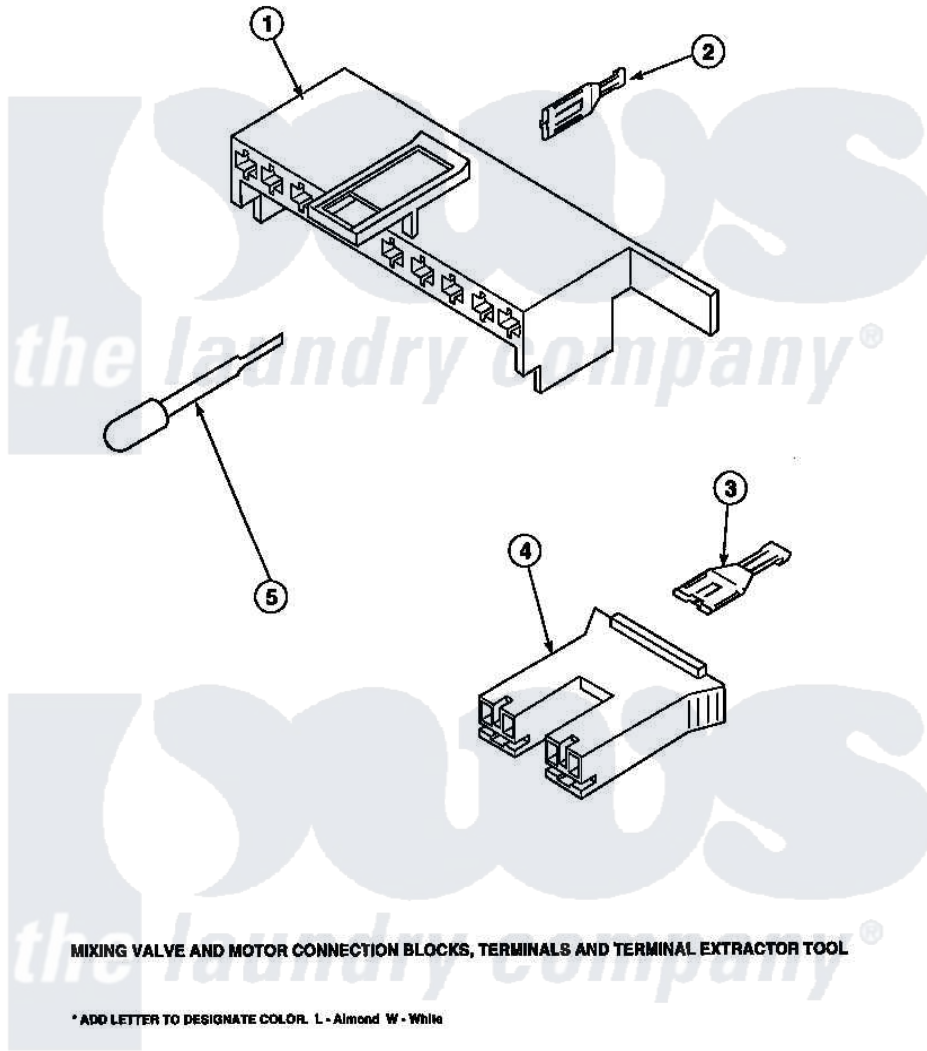


**Amana LW3503W2 (BOM: PLW3503W2 A) 19 - MIXING VALVE & MOTOR
CONN BLOCKS, TERM**



Amana [Residential Amana LW3503W2 \(BOM: PLW3503W2 A\) Washer Parts](#) Parts Diagram 19 - MIXING VALVE & MOTOR CONN BLOCKS, TERM
Click on the part number to view part

Item	Original Part Number	Replaced By	Status	Part Description
1	34677			10 Circuit Plug
2	Y00188			Molex Terminal
4	34676			Plug
"	34675		Not Available	PLUG
5	283P4			Terminal Extractor Tool
NI	34349		Not Available	HOOD HARNESS -
"	35347			Assembly, Wiring Harness
"	36484			Harness Hood
"	35352			Assembly, Wiring Harness-Hood
"	35350			Assembly, Wiring Harness-Hood
"	36059			Assembly, Wiring Harness-Hood
"	36278			Harness, Wire