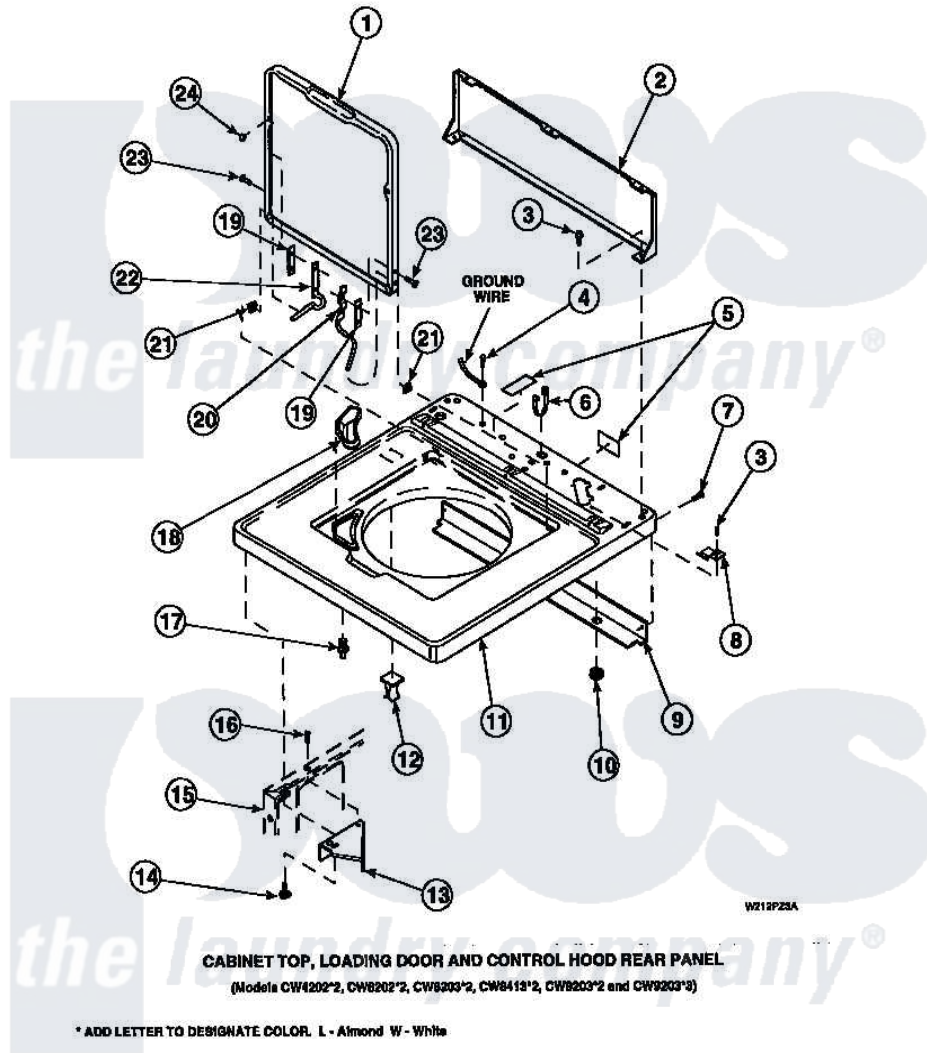


Amana LW4203W2 (BOM: PLW4203W2 A) 05 - CAB TOP/LOADING DR & CTRL HOOD REAR PAN



Amana Residential Amana LW4203W2 (BOM: PLW4203W2 A) Washer Parts Parts Diagram 05 - CAB TOP/LOADING DR & CTRL HOOD REAR PAN
 Click on the part number to view part

| Item | Original Part Number | Replaced By | Status | Part Description |
|------|-----------------------|---------------------------|---------------|---|
| 2 | 34903 | | Not Available | PANEL, BACK HOOD (USE 37782) |
| 3 | 23962 | W10116760 | | Screw |
| 4 | 52909 | | | Screw, 10B-16 X 1/2 HeX |
| 6 | 21903 | 211881 | | Grommet, Cord Part Not Used-Gas Models Only |
| 7 | 27196 | 27001200 | | Screw |
| 8 | 35887 | 40063901 | | Clip, Hold Down |
| 11 | 34902P | | Not Available | TOP |
| 12 | 36519 | | Not Available | CLIP |
| 13 | 36034 | | | Bracket, Director-Module |
| 14 | Y31644 | 27001200 | | Screw |
| 15 | 34475P | | Not Available | CABINET |
| 16 | 36035 | | Not Available | SCREW,8-18X3/8 PHIL FLT HD |
| 17 | 56534 | | | Barrel, Support |

| | | | |
|----|-----------------------|---------------------------|---------------------------|
| 18 | 34776 | Not Available | DISPENSER,BLEACH |
| 19 | 34338 | | Gasket, Hinge |
| 20 | 36437 | | Hinge, Lid R |
| 21 | 33446 | 40008201 | Bushing, Hinge |
| 22 | 36513 | | Hinge, Left |
| 23 | 34337 | W10119828 | Screw, Lid Hinge Mounting |
| 24 | 21685 | 40038001 | Bumper |

