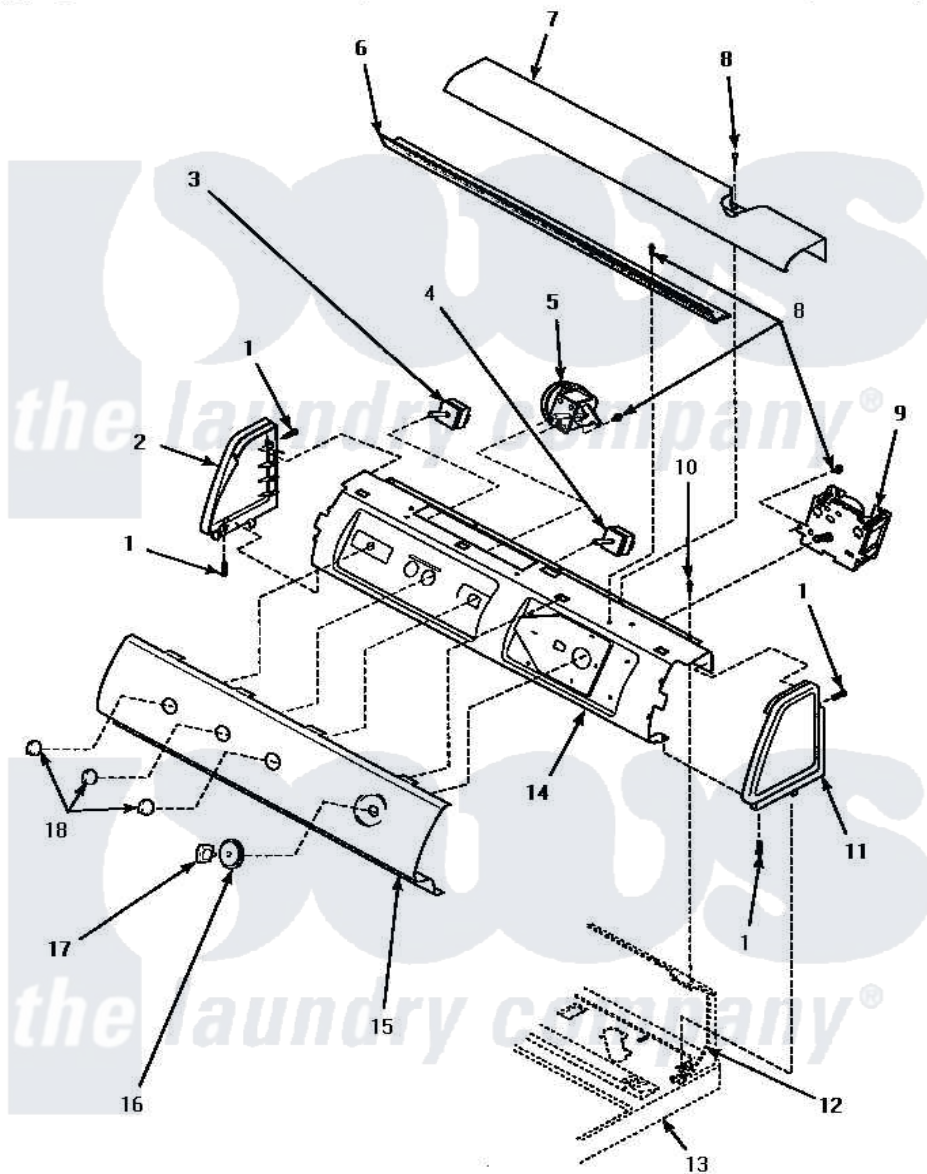


Amana LW4302L (BOM: P1163302W L) 08 - GRAPHIC PANEL, CTRL MTG PLATE & CTRLS



GRAPHIC PANEL, CONTROL MOUNTING PLATE AND CONTROLS

Amana Residential Amana LW4302L (BOM: P1163302W L) Washer Parts Parts Diagram 08 - GRAPHIC PANEL, CTRL MTG PLATE & CTRLS

[Click on the part number to view part](#)

Item	Original Part Number	Replaced By	Status	Part Description
"	NOTE:		Not Available	OUTER TUB COVER AND GASKET TOOL IS FOR REMOVAL OF 36025 OUTER TUB COVER FROM OUTER TUB AND INSTALLATION OF 32857 GASKET IN OUTER TUB COVER.
1	501086	90767		Screw, 8A X 3/8 HeX Washer Head Tapping
2	34816			Panel, End
3	35116		Not Available	SWITCH,TEMPERATURE-4 P
4	35118	40039501		Switch, Speed
5	36045	40055101		Switch, Pressure
6	Y34826		Not Available	DIFFUSER,LAMP-CLEAR
7	34823		Not Available	COVER, TOP
8	23962	W10116760		Screw
9	35229			Timer, 4 Cycle

10	34904	489355	Screw, 8 X 1/2
11	34815		Not Available
12	Y00000000		PANEL, END R.H. (BLK)
13	Y00000000		Not Available
14	34821		SEE NOTE CONTROL HOOD REAR PANEL
15	34821		SEE NOTE CONTROL TOP
16	34821		CONTROL MOUNTING PLATE
17	35315		Panel, Graphic-Amana
18	34848		Assembly, Timer Skirt
19	34844		Not Available
20	34847		KNOB,TIMER
21			Assembly, Knob-Rotary

