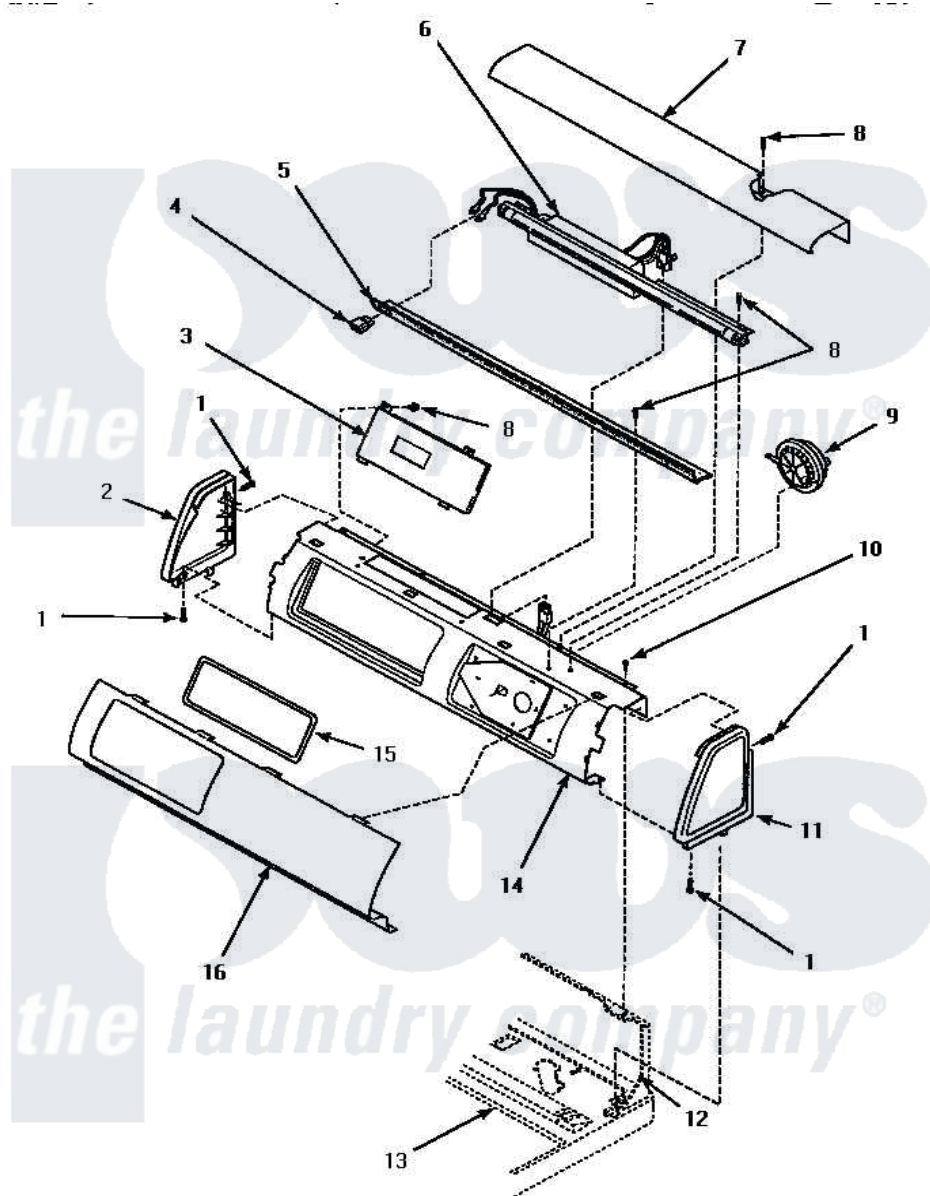


Amana LW4603L (BOM: P1163404W L) 08 - GRAPHIC PANEL, CTRL MTG PLATE & CTRLS



GRAPHIC PANEL, CONTROL MOUNTING PLATE AND CONTROLS

Amana [Residential Amana LW4603L \(BOM: P1163404W L\) Washer Parts](#) Parts Diagram 08 - GRAPHIC PANEL, CTRL MTG PLATE & CTRLS

[Click on the part number to view part](#)

Item	Original Part Number	Replaced By	Status	Part Description
"	NOTE:		Not Available	OUTER TUB COVER AND GASKET TOOL IS FOR REMOVAL OF 36025 OUTER TUB COVER FROM OUTER TUB AND INSTALLATION OF 32857 GASKET IN OUTER TUB COVER.
1	501086	90767		Screw, 8A X 3/8 HeX Washer Head Tapping
2	34816			Panel, End
3	35364		Not Available	ELECTRONIC CONTROL
4	35037	74008718		Switch, Rocker
5	34829			Diffuser, Lamp-Clear
6	34836			Assembly, Fluorescent Light
"	34841		Not Available	STARTER,FLUORESCENT
"	34837		Not Available	BULB,FLUORESCENT
7	34823		Not Available	COVER, TOP

8	23962	W10116760	Screw
9	36136	39078	Switch- Pr
10	34904	489355	Screw, 8 X 1/2
11	34815		Not Available PANEL, END R.H. (BLK)
12	Y00000000		Not Available SEE NOTE CONTROL HOOD REAR PANEL
13	Y00000000		Not Available SEE NOTE CABINET TOP
14	34822		Not Available NO LONGER AVAILABLE
15	35114		Gasket, Electronic Control
16	35318		Not Available PANEL,GRAPHIC-AMANA

