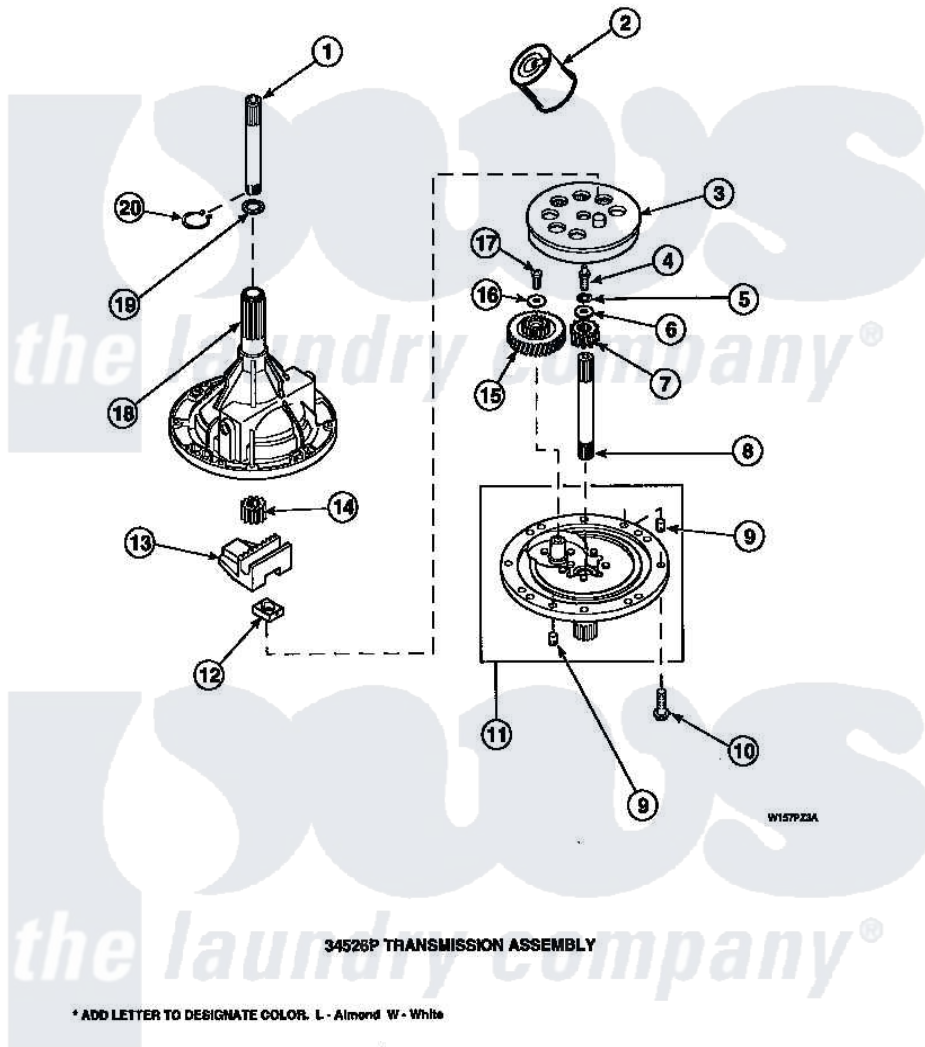


Amana LW6001W2 (BOM: PLW6001W2 A) 01 - 34526P TRANSMISSION ASSY



Amana Residential Amana LW6001W2 (BOM: PLW6001W2 A) Washer Parts Parts Diagram 01 - 34526P TRANSMISSION ASSY

Click on the part number to view part

| Item | Original Part Number   | Replaced By              | Status        | Part Description        |
|------|------------------------|--------------------------|---------------|-------------------------|
| 1    | <a href="#">Y36570</a> |                          |               | Shaft, Output           |
| 2    | <a href="#">27243P</a> |                          |               | Oil, CW Transmission F- |
| 3    | <a href="#">26577</a>  |                          |               | Assembly, Gear And Stud |
| 4    | 27030                  |                          | Not Available | SCREW, 1/4-20 SPECIAL   |
| 5    | <a href="#">21456</a>  |                          |               | Lockwasher, 1/4 Intshkp |
| 6    | 26509                  | <a href="#">40041501</a> |               | Washer                  |
| 7    | <a href="#">36562</a>  |                          |               | Pinion, Drive           |
| 8    | <a href="#">34853</a>  |                          |               | Shaft, Input            |
| 9    | <a href="#">27172</a>  |                          |               | Pin, Dowel              |
| 10   | 32814                  |                          | Not Available | SCREW, 1/4-20X7/8 SERRA |
| 11   | <a href="#">38290</a>  |                          |               | Assembly, Cover         |
| 12   | <a href="#">26493</a>  |                          |               | Slide                   |
| 13   | <a href="#">Y31526</a> |                          |               | Rack                    |
| 14   | <a href="#">27003</a>  |                          |               | Pinion, Agitator        |
| 15   | <a href="#">29161</a>  |                          |               | Gear, Reduction         |

|    |                       |               |                              |
|----|-----------------------|---------------|------------------------------|
| 16 | 29260                 | Not Available | WASHER                       |
| 17 | <a href="#">29273</a> |               | Screw, 1/4-20 X 3/8          |
| 18 | 33223                 | Not Available | ASSY, TRANSMISSION CASE      |
| 19 | <a href="#">35092</a> |               | Washer, 3628id X 1.00 X .056 |
| 20 | <a href="#">27197</a> |               | Ring, Retaining              |
| NI | 37577P                | Not Available | SEALANT                      |

