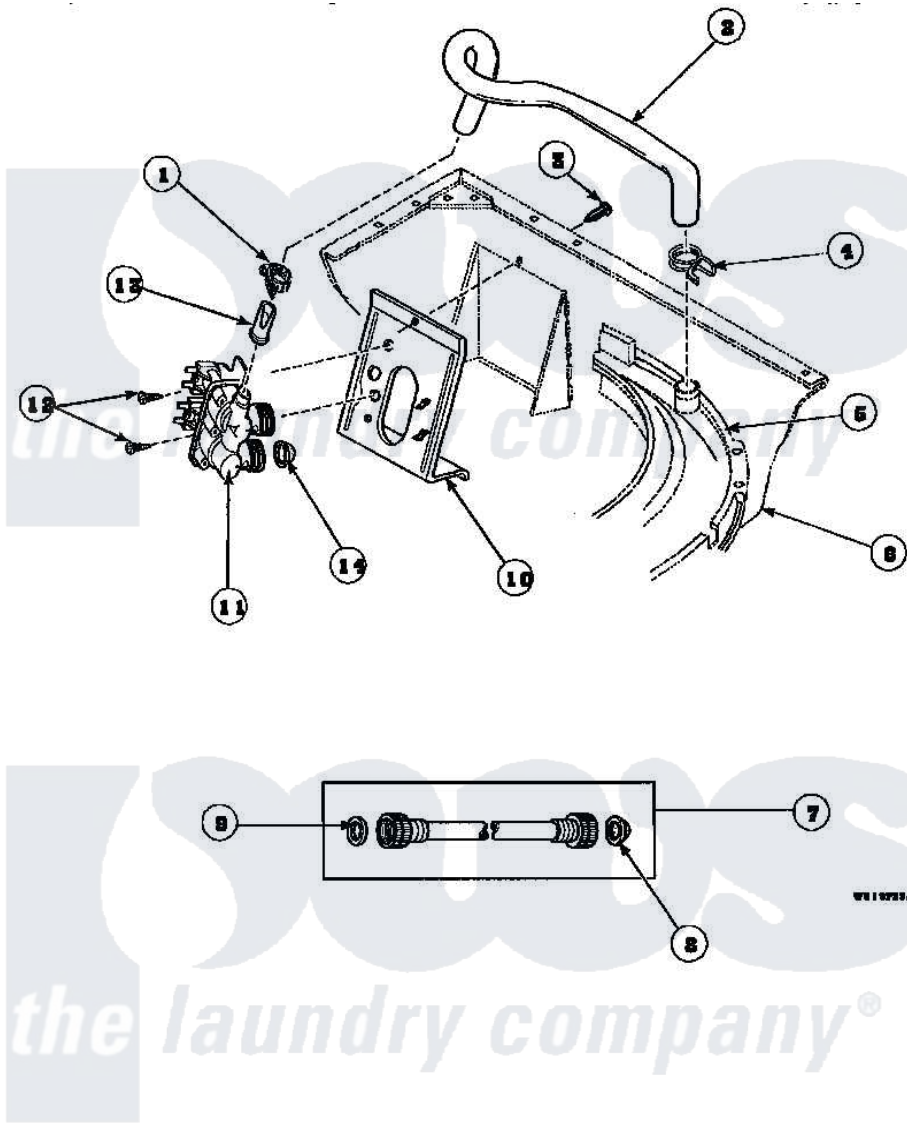


**Amana LW6001W2 (BOM: PLW6001W2 A) 17 - INLET/FILL HOSE & MIXING VLV MTG BRKT**



Amana [Residential Amana LW6001W2 \(BOM: PLW6001W2 A\) Washer Parts](#) Parts Diagram 17 - INLET/FILL HOSE & MIXING VLV MTG BRKT  
 Click on the part number to view part

Item	Original Part Number	Replaced By	Status	Part Description
1	36801	<a href="#">596669</a>		Clamp, Manifold
2	35874	<a href="#">38155</a>		Hose, Mix Valve To TU
3	33562	<a href="#">27001200</a>		Screw
4	<a href="#">29210</a>			Hose Clamp
5	<a href="#">36025P</a>			Assembly, Tub Coverand Gasket
6	34475P		Not Available	CABINET
7	20618	<a href="#">21001467</a>		Hose- 10'
"	20617		Not Available	HOSE, INLET (8 FT)
"	28330P	<a href="#">202860</a>		Inlet Hose Assembly
8	28605	<a href="#">22002960</a>		Strainer, Washer Inlet
9	20290	<a href="#">Y013783</a>		Washer, Inlet Hose
10	34972	<a href="#">39407</a>		Bracket, Valve
11	34963	<a href="#">34963P</a>		Valve Mixing Package
12	501086	<a href="#">00767</a>		Screw, 8A X 3/8 HeX Washer

