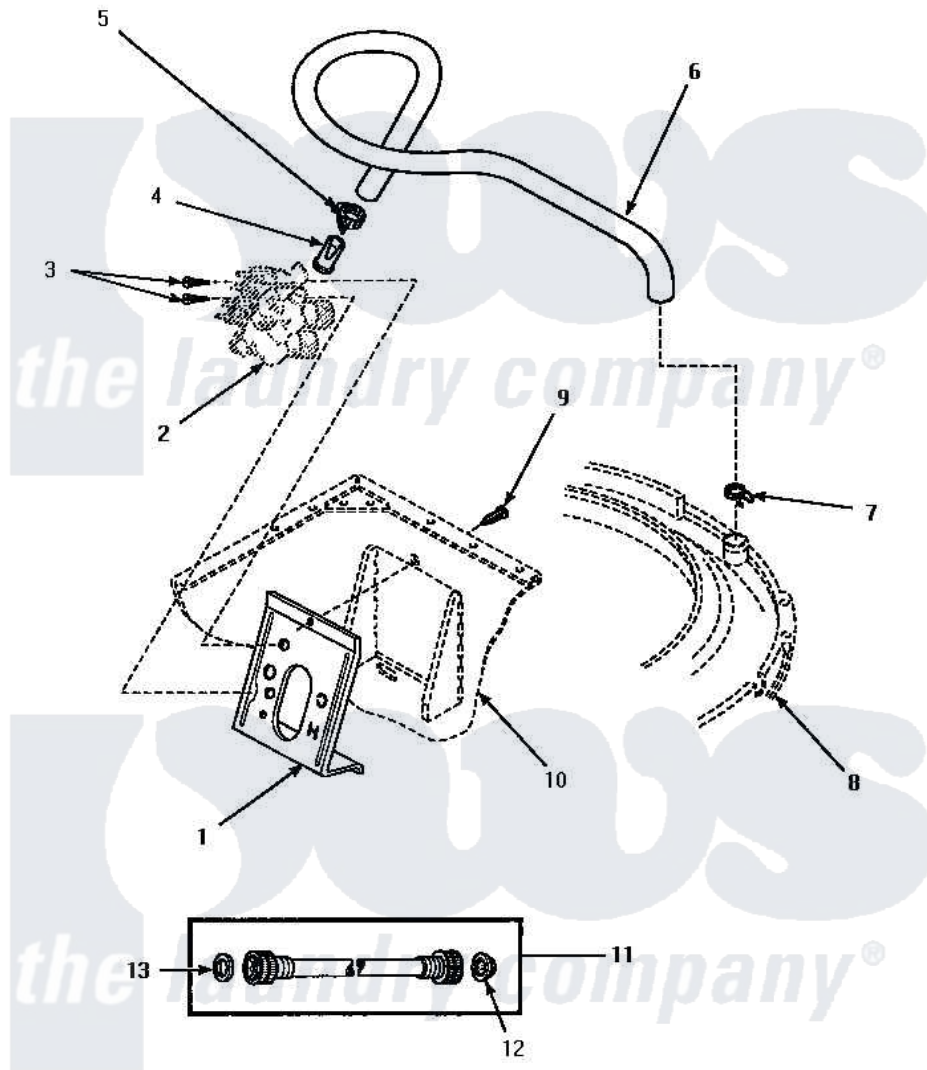


**Amana LW6101WB (BOM: PLW6101WB A) 05 - CAB TOP/LOADING DR & CTRL HOOD REAR PAN**



**INLET HOSE, FILL HOSE AND MIXING VALVE MOUNTING BRACKET**

Amana [Residential Amana LW6101WB \(BOM: PLW6101WB A\) Washer Parts](#) Parts Diagram 05 - CAB TOP/LOADING DR & CTRL HOOD REAR PAN  
 Click on the part number to view part

Item	Original Part Number	Replaced By	Status	Part Description
1	34972	<a href="#">39407</a>		Bracket, Valve
2	Y00000000		Not Available	SEE NOTE MIXING VALVE ASSEMBLY -- (SEE MIXING VALVE ASSEMBLY PAGE)
3	23962	<a href="#">W10116760</a>		Screw
4	34500	<a href="#">22001900</a>		Preventer, Back Flow
5	36801	<a href="#">596669</a>		Clamp, Manifold
6	35920		Not Available	HOSE,MIXING VALVE/TUB
7	<a href="#">29210</a>			Hose Clamp
8	Y00000000		Not Available	SEE NOTE OUTER TUB ASSEMBLY -- (SEE OUTER TUB PAGE)
9	33562	<a href="#">27001200</a>		Screw
10	Y00000000		Not Available	SEE NOTE CABINET ASSEMBLY -- (SEE FRONT PANEL PAGE)
11	28330P	<a href="#">202860</a>		Inlet Hose Assembly

