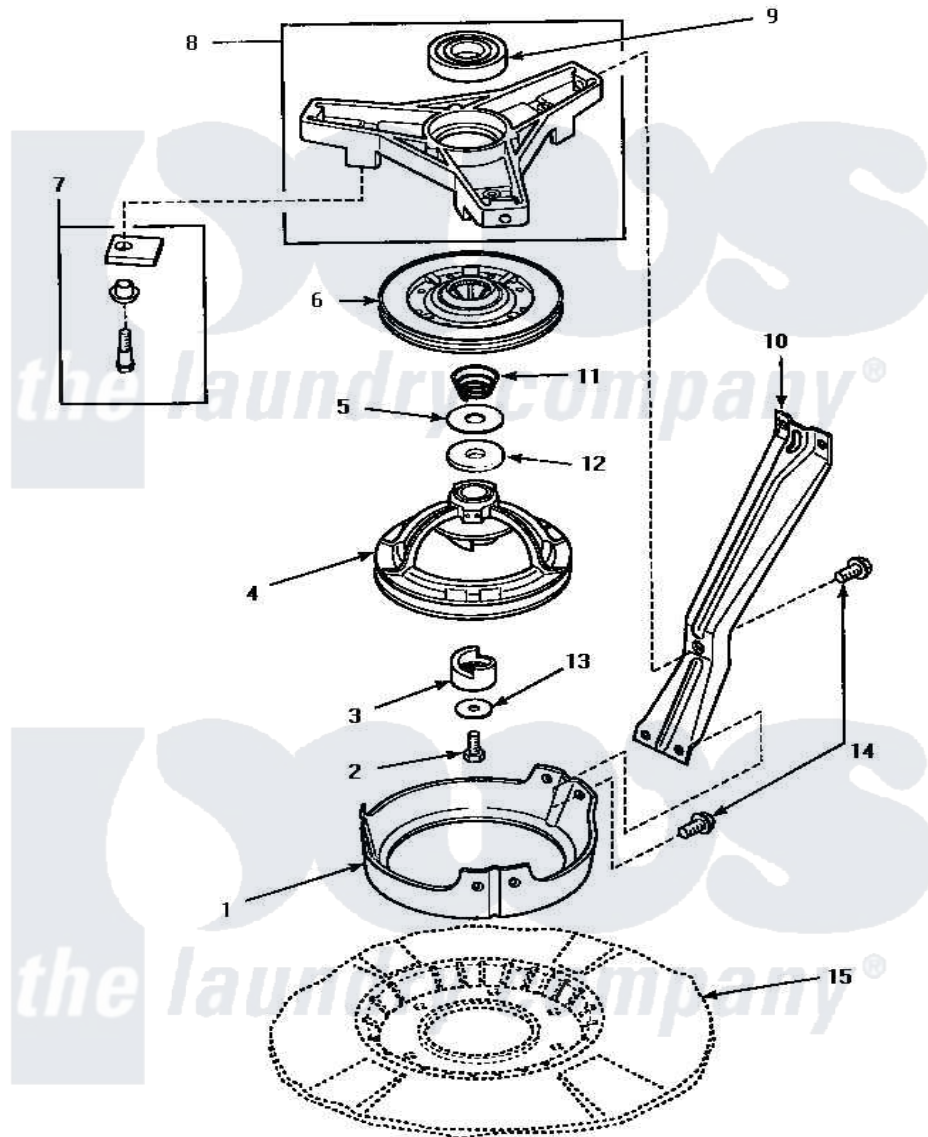


Amana LW6111LB (BOM: PLW6111LB A) 03 - BRG HSG/BRAKE/PULLEY & PIVOT DOME



BEARING HOUSING, BRAKE, PULLEY AND PIVOT DOME

Amana [Residential Amana LW6111LB \(BOM: PLW6111LB A\) Washer Parts](#) Parts Diagram 03 - BRG HSG/BRAKE/PULLEY & PIVOT DOME
 Click on the part number to view part

Item	Original Part Number	Replaced By	Status	Part Description
1	34470			Dome, Pivot
2	27220	40063401		Screw, 1/4-20 x 5/8 Hex
3	27018			Helix
4	34923			Assembly, Pulley-Spin And Agitate
"	34921			Assembly, Pulley-Spin And Agitate
5	35535	40065701		Washer, 2 Odx.63 ID
6	31961P	R9900474		Brake Assembly
7	548P3	R9900543		Pad-Brake
8	35746			AssemBly, Bearing Housing-L
9	28944R	40004001		Bearing, Main
10	34471		Not Available	LEG,SUPPORT
"	34792			Leg, Support
11	33435			Spring, Conical

12	27015	40063201	Washer, Flat
13	26509	40041501	Washer
14	35369	40128701	Screw, 5/16-18 X .50
15	Y00000000	Not Available	SEE NOTE BASE ASSY -- (SEE FRONT PANEL, BASE AND CABINET ASSY PAGE)
NI	26594P		Grease, Silicone - 2 Oz Tube

