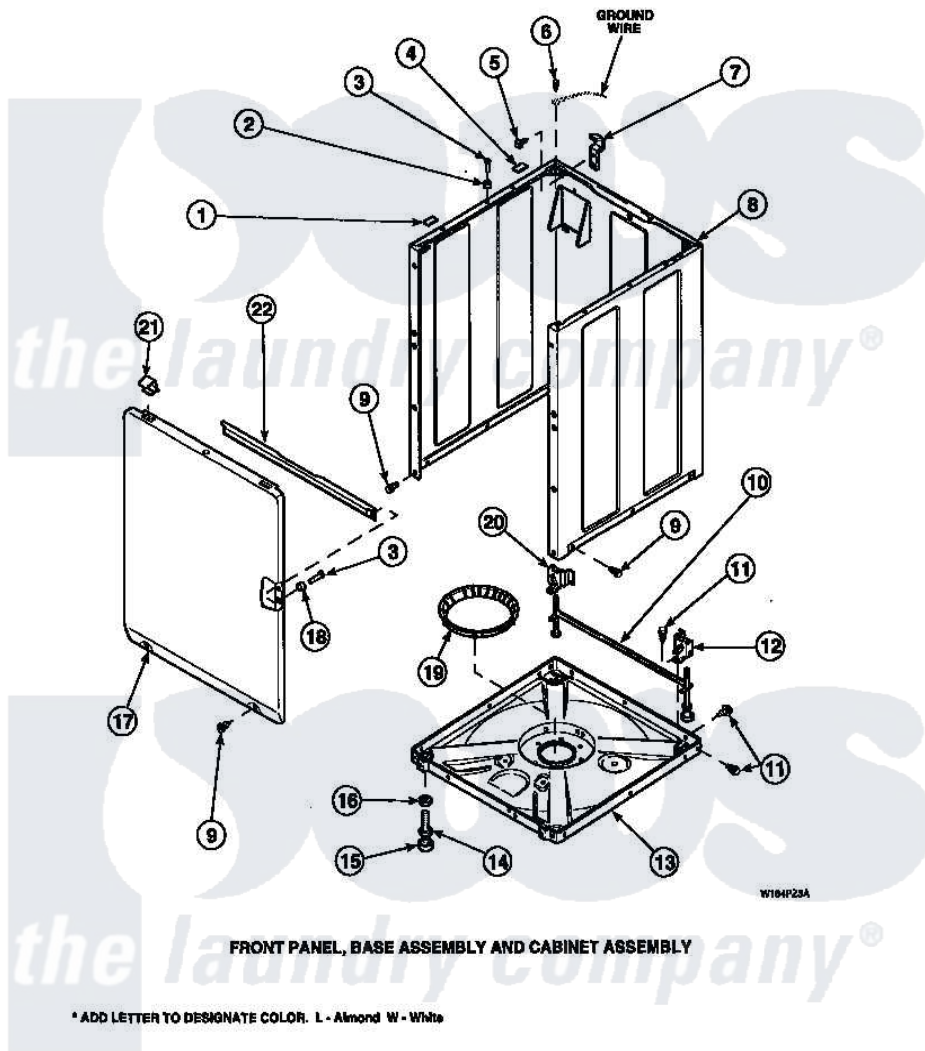


# Amana LW6123WM (BOM: PLW6123WM A) 08 - FRONT PANEL, BASE ASSY AND CABINET ASSY



Amana [Residential Amana LW6123WM \(BOM: PLW6123WM A\) Washer Parts](#) Parts Diagram 08 - FRONT PANEL, BASE ASSY AND CABINET ASSY  
 Click on the part number to view part

Item	Original Part Number	Replaced By	Status	Part Description
1	<a href="#">Y56128</a>			Pad, Bumper
2	56079	<a href="#">505187</a>		Locator, Panel
3	32671	<a href="#">Y014874</a>		Screw, Idler Arm And Sleeve
4	<a href="#">36226</a>			Pad, Bumper .25
5	34499		Not Available	SCREW, No.10B X 1/4 TAP IN HX
6	23962	<a href="#">W10116760</a>		Screw
7	<a href="#">Y27103</a>			Hinge, Hold-Down Lug
8	34475P		Not Available	CABINET
9	27196	<a href="#">27001200</a>		Screw
10	<a href="#">34443</a>			Assembly, Leg And Stabilier
11	35148		Not Available	SCREW, 1/4-14 X 3/8 HX HD
12	36036		Not Available	BRACKET, SLL-RIGHT
13	<a href="#">36599P</a>			Assembly Nut/ Leg Base
"	<a href="#">34434P</a>			Assembly Nut/Leg Base

14	Y34319	<a href="#">22003428</a>	Leg, Adjustable
15	34318	<a href="#">40016001</a>	Foot, Rubber
16	Y21899	<a href="#">40038101</a>	Nut, Leg
17	34656P	Not Available	NOT GOOD No. SEE NOTE PNL, FRONT
18	<a href="#">28102</a>		Locator, Panel
19	36108	Not Available	SNUBBER PAD & ISOLATOR
20	<a href="#">36037</a>		Bracket, SII-Left
21	<a href="#">35865</a>		Clip, Hold-Down Front Panel
22	Y35097	Not Available	BRACE, FRT PNL

