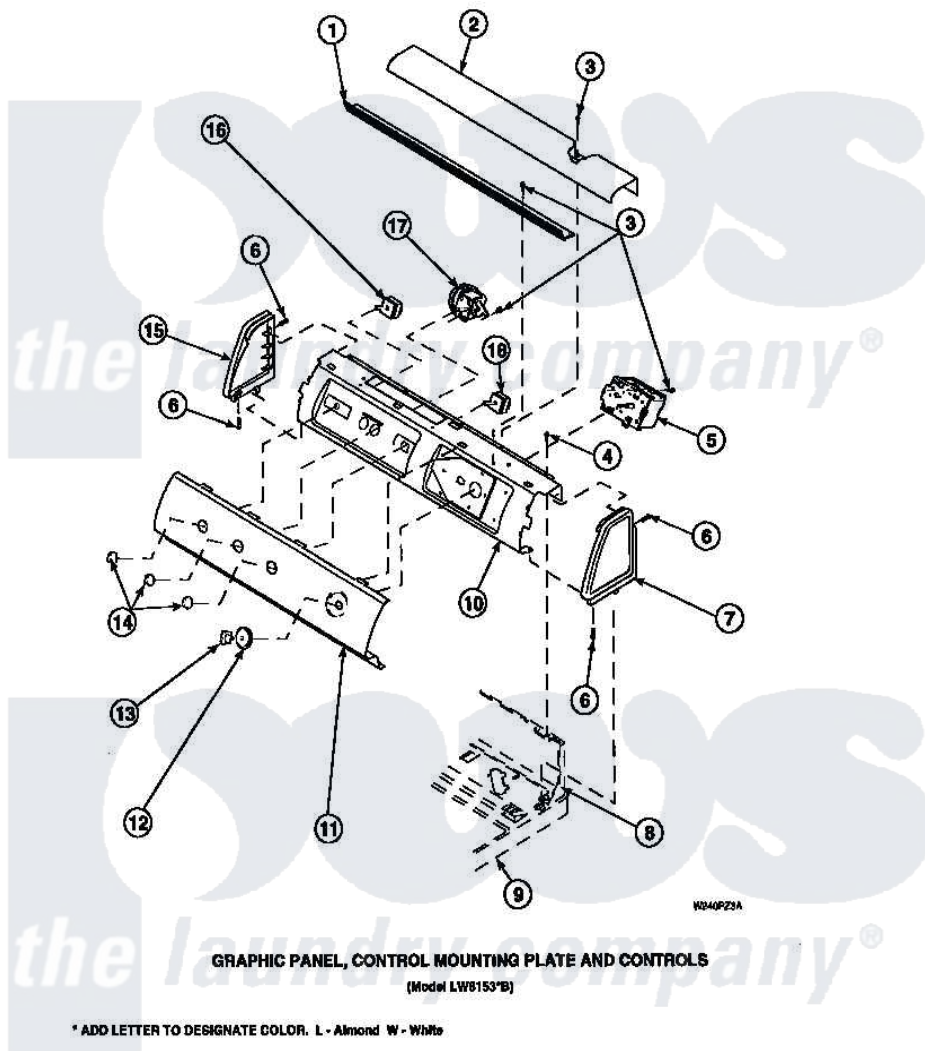


**Amana LW6153LB (BOM: PLW6153LB A) 15 - GRAPHIC PANEL, CTRL
MTG PLATE AND CTRLS**



Amana Residential Amana LW6153LB (BOM: PLW6153LB A) Washer Parts Parts Diagram 15 - GRAPHIC PANEL, CTRL MTG PLATE AND CTRLS
Click on the part number to view part

| Item | Original Part Number | Replaced By | Status | Part Description |
|------|-----------------------|---------------------------|---------------|---|
| 1 | Y34826 | | Not Available | DIFFUSER,LAMP-CLEAR |
| 3 | 23962 | W10116760 | | Screw |
| 4 | 34904 | 489355 | | Screw, 8 X 1/2 |
| 5 | 36607 | | | Timer, 4 Cycle |
| 6 | 501086 | 90767 | | Screw, 8A X 3/8 HeX Washer Head Tapping |
| 8 | 34903 | | Not Available | PANEL, BACK HOOD (USE 37782) |
| 9 | 34902P | | Not Available | TOP |
| 10 | 34821 | | Not Available | CONTROL MOUNTING PLATE |
| 16 | 36335 | 40046601 | | Switch, Temperature Select |
| 17 | 36045 | 40055101 | | Switch, Pressure |
| 18 | 35118 | 40039501 | | Switch, Speed |