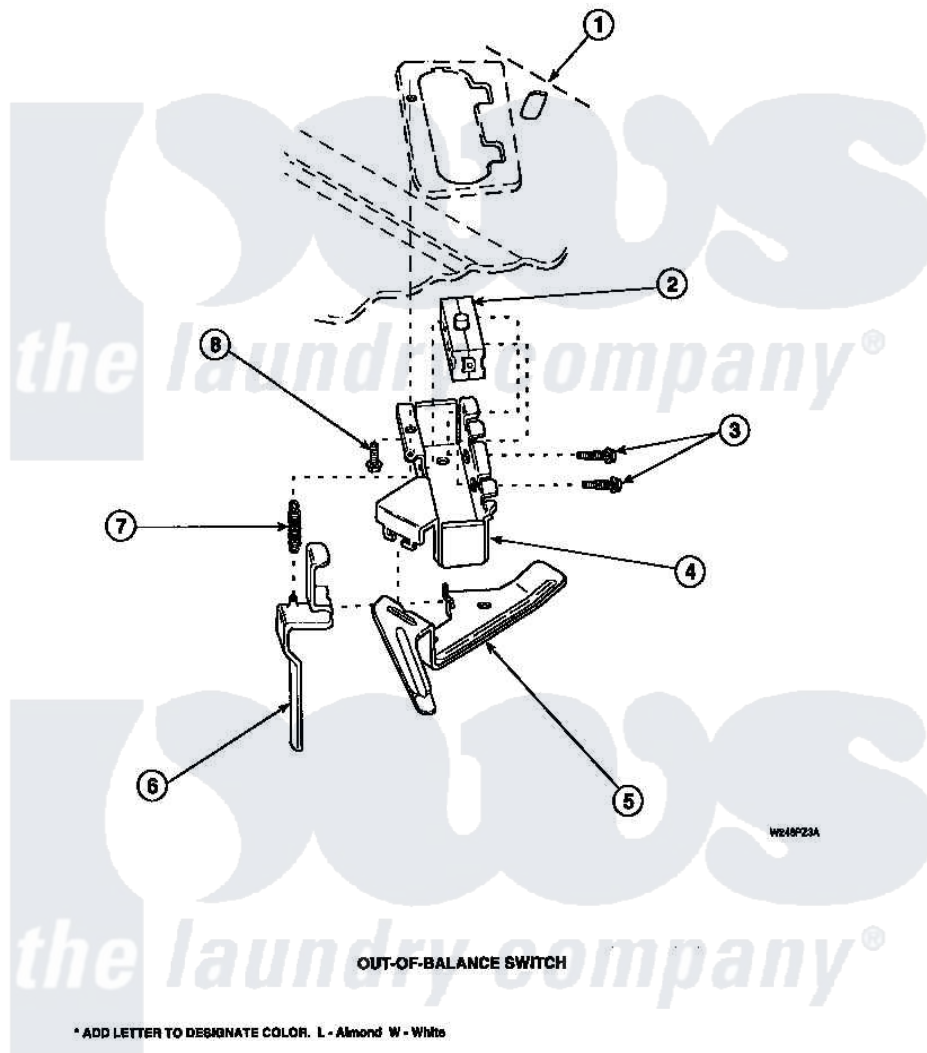


Amana LW6153LM (BOM: PLW6153LM A) 22 - OUT-OF-BALANCE SWITCH



Amana Residential Amana LW6153LM (BOM: PLW6153LM A) Washer Parts Parts Diagram 22 - OUT-OF-BALANCE SWITCH

Click on the part number to view part

Item	Original Part Number	Replaced By	Status	Part Description
1	34902P		Not Available	TOP
2	33445	27001095		Switch, Lid
3	36510			Screw
4	36497P			Kit, Switch Holder
5	33441			Arm, Actuator
6	33442			Lever, Unbalanced Load
7	33443			Spring
8	23962	W10116760		Screw