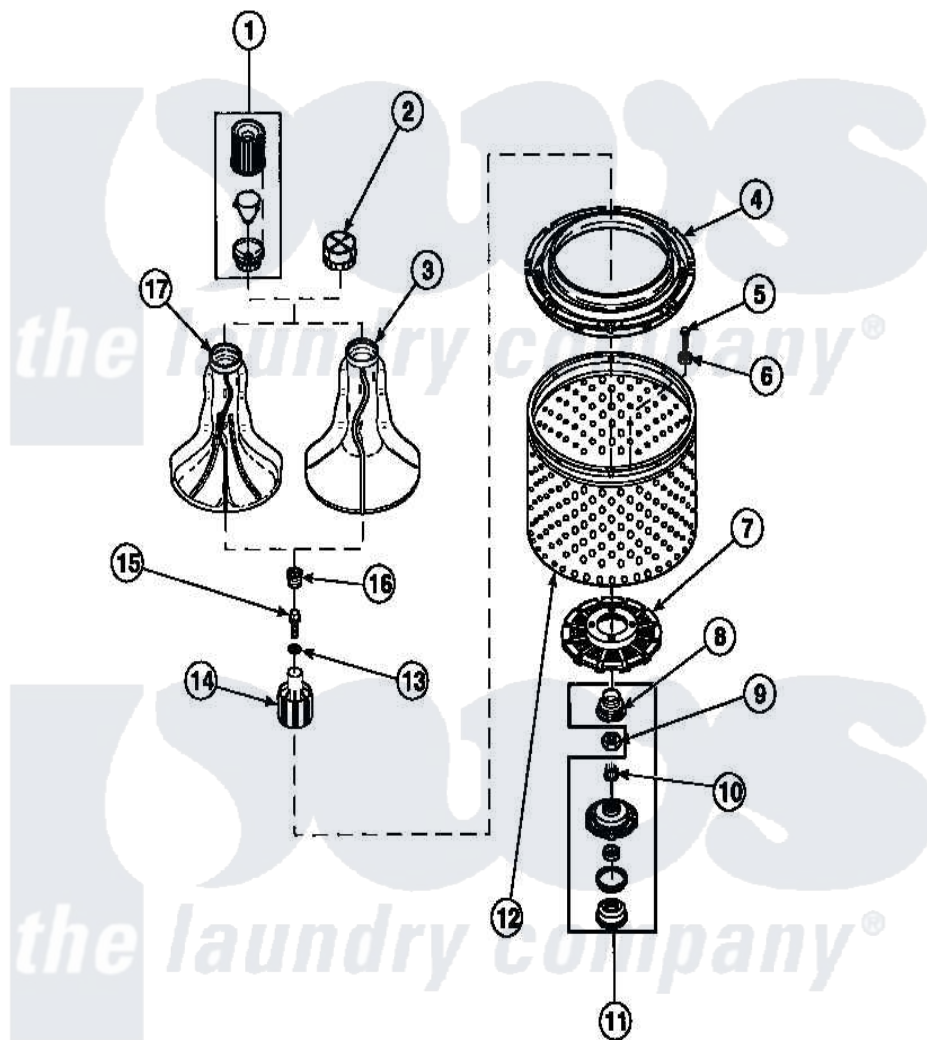


**Amana LW6153LM (BOM: PLW6153LM B) 03 - AGITATOR/DRIVE BELL/SEAL KIT/TUB & HUB**



Amana Residential Amana LW6153LM (BOM: PLW6153LM B) Washer Parts Parts Diagram 03 - AGITATOR/DRIVE BELL/SEAL KIT/TUB & HUB  
 Click on the part number to view part

Item	Original Part Number	Replaced By	Status	Part Description
2	<a href="#">36515</a>			Cap, Agitator
4	<a href="#">35035</a>			Guard, Clothes
5	27202	<a href="#">W10116787</a>		Screw
6	<a href="#">28094</a>			Gasket
8	36425	<a href="#">40016101</a>		Seal, Bell Drive
9	Y29220	<a href="#">40016301</a>		Nut, Lock
10	29728	<a href="#">40008301</a>		Insert, Spline
11	495P3	<a href="#">R9900552</a>		Hub And Seal
12	33501P	<a href="#">R9900144</a>		Kit- Wash
13	<a href="#">36472</a>			O-Ring
15	34288	<a href="#">40065102</a>		Screw, Shoulder 1/4
16	36511	<a href="#">40008401</a>		Plug, Bell
17	33174	<a href="#">40000501W</a>		Agitator, Flex Vane