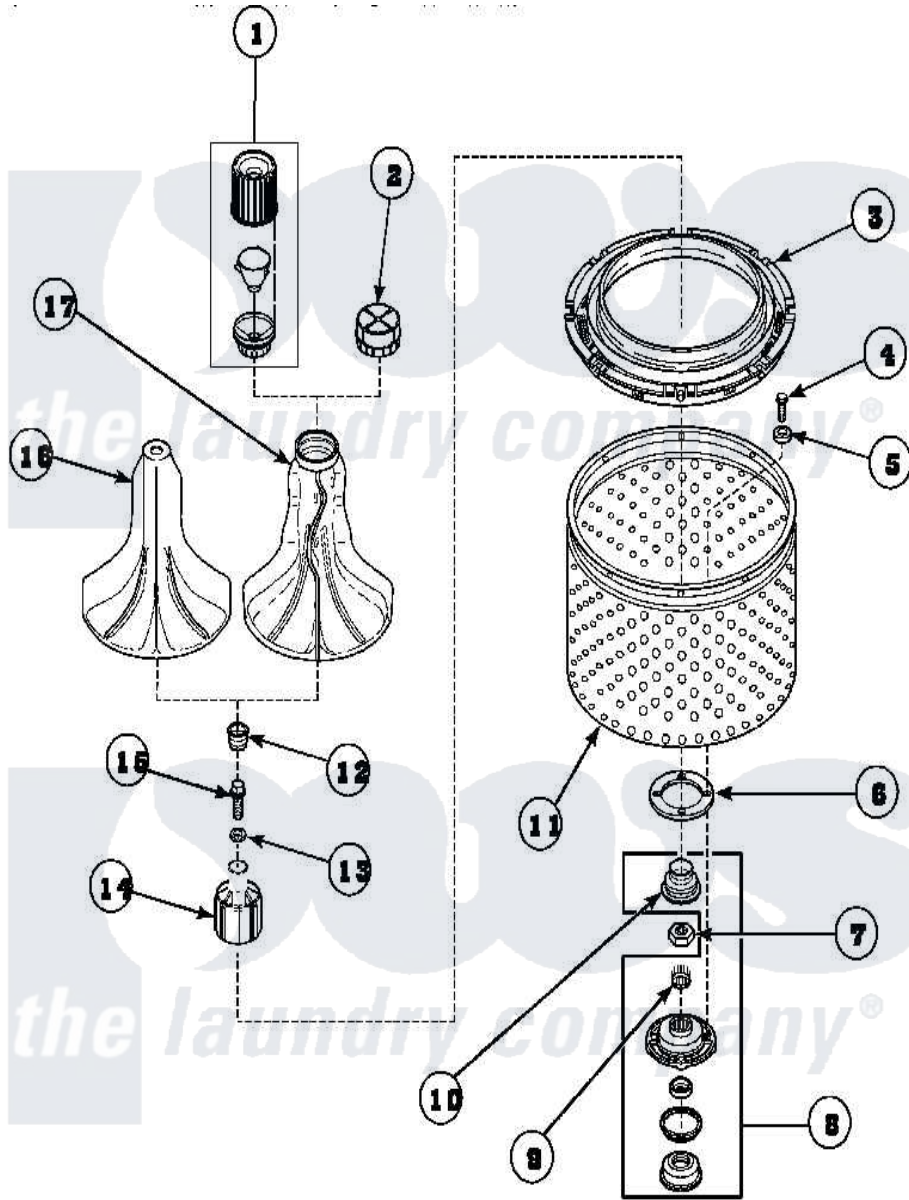


**Amana LW6153LM (BOM: PLW6153LMA) 02 - AGITATOR/DRIVE  
BELL/SEAL KIT/TUB & HUB**



W214P2EA

Amana Residential Amana LW6153LM (BOM: PLW6153LMA) Washer Parts Parts Diagram 02 - AGITATOR/DRIVE  
BELL/SEAL KIT/TUB & HUB  
Click on the part number to view part

Item	Original Part Number	Replaced By	Status	Part Description
1	36542	<a href="#">40002101W</a>		Assembly, Fabric Softner
2	<a href="#">36515</a>			Cap, Agitator
3	<a href="#">35035</a>			Guard, Clothes
4	27202	<a href="#">W10116787</a>		Screw
5	<a href="#">28094</a>			Gasket
7	Y29220	<a href="#">40016301</a>		Nut, Lock
8	495P3	<a href="#">R9900552</a>		Hub And Seal
9	29728	<a href="#">40008301</a>		Insert, Spline
10	36425	<a href="#">40016101</a>		Seal, Bell Drive
12	36511	<a href="#">40008401</a>		Plug, Bell
13	<a href="#">36472</a>			O-Ring
14	36443P	<a href="#">R9900189</a>		Kit, Drive Bell And Seal
15	34288	<a href="#">40065102</a>		Screw, Shoulder 1/4