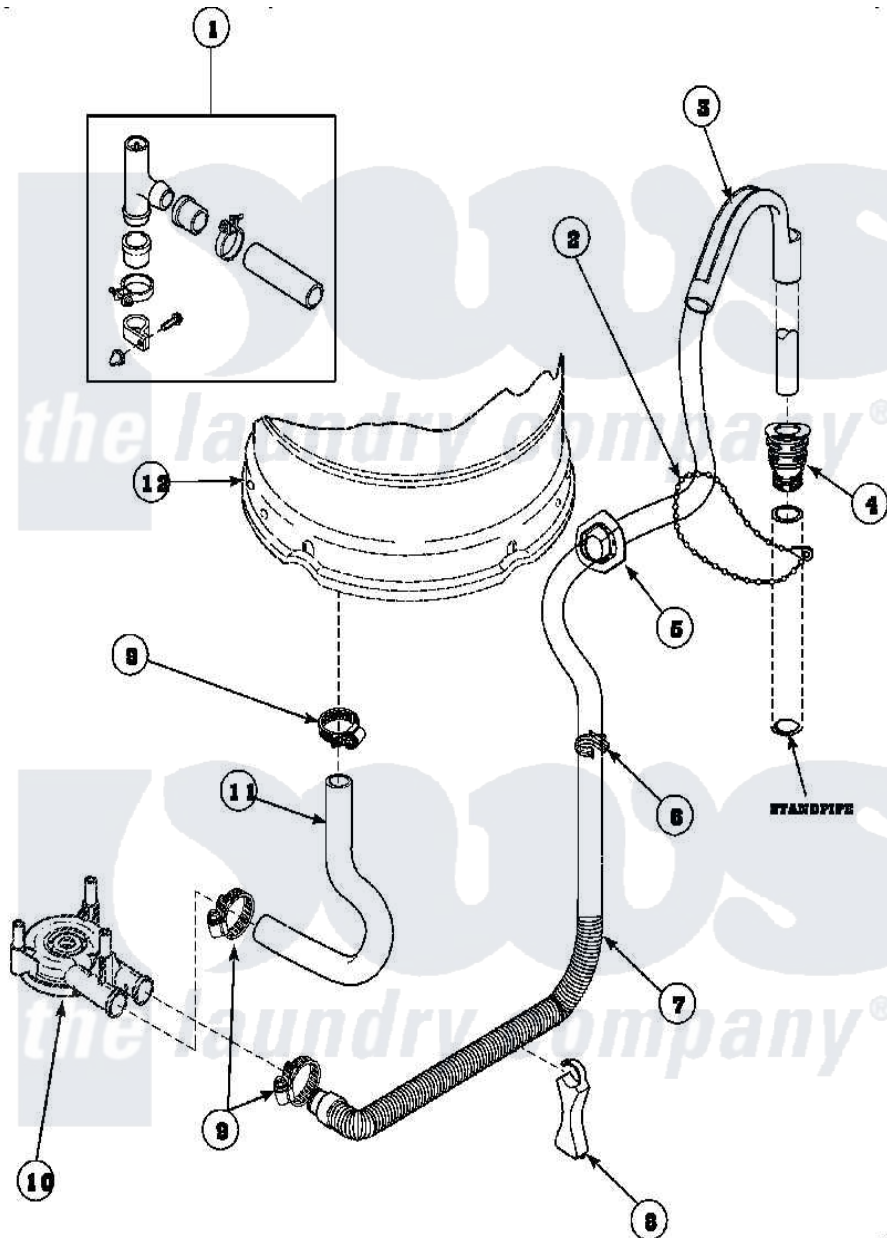


**Amana LW6153LM (BOM: PLW6153LMA) 07 - DRAIN HOSE AND SIPHON BREAK**



WASHERA

Amana Residential Amana LW6153LM (BOM: PLW6153LMA) Washer Parts Parts Diagram 07 - DRAIN HOSE AND SIPHON BREAK

Click on the part number to view part

Item	Original Part Number	Replaced By	Status	Part Description
1	562P3	<a href="#">76660</a>		Break-Sphn
2	33489	<a href="#">8539404</a>		Tie-Wire
3	33615	<a href="#">22003814</a>		Retainer, Drain Hose
4	36878	<a href="#">40008101</a>		Adapter, Standpipe
5	<a href="#">32219</a>			Relief, Strain
6	<a href="#">36014</a>			Clip, Retainer-Hose
7	37245	<a href="#">40053901</a>		Hose, Drain
8	<a href="#">36522</a>			Hose Support
"	<a href="#">35487</a>			Support, Hose
9	36802	<a href="#">285655</a>		Clamp, Hose
10	36863P	<a href="#">27001233</a>		Pump
11	<a href="#">35753</a>			Hose, Tub To Pump-Ddp
12	<a href="#">34438P</a>			Assembly, Outer Tub