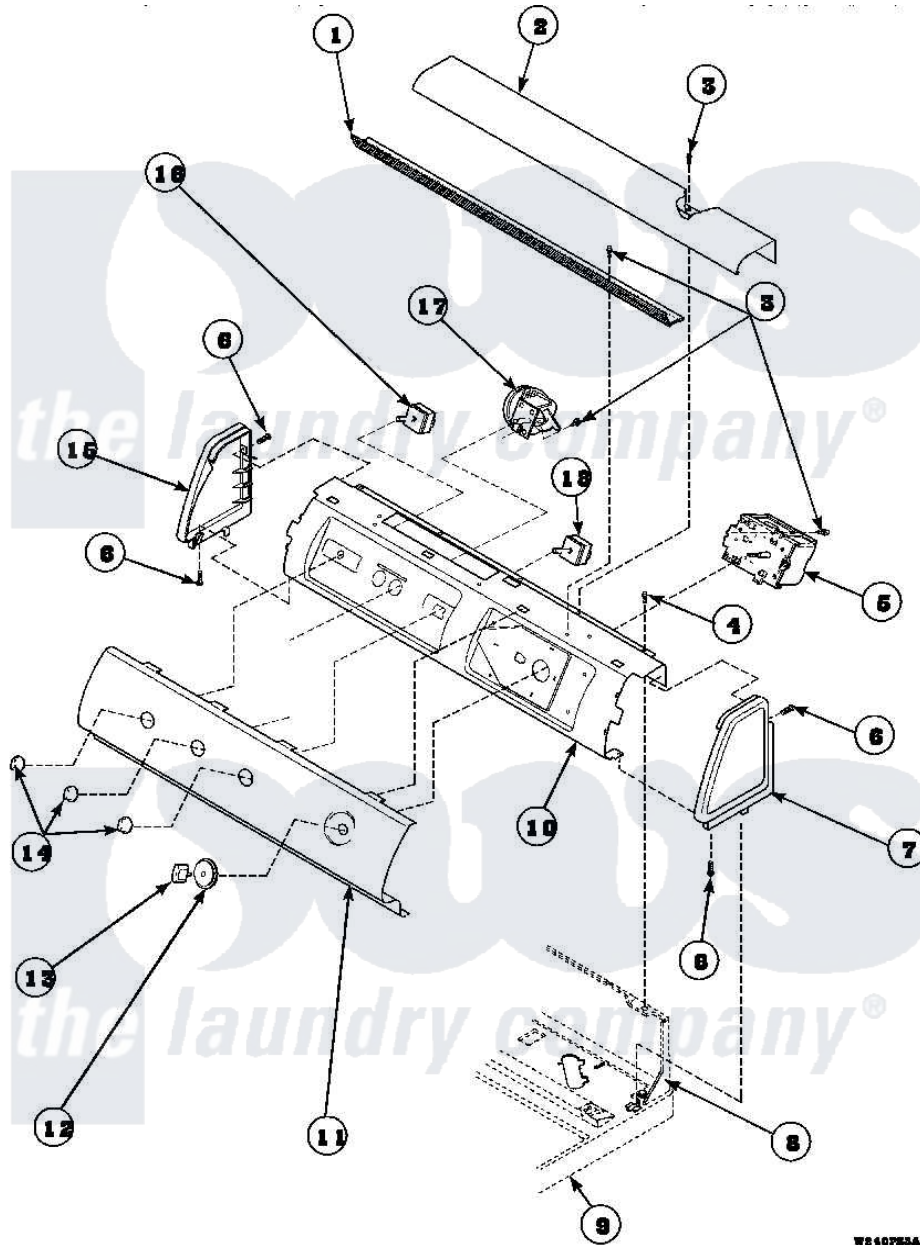


**Amana LW6153LM (BOM: PLW6153LMA) 09 - GRAPHIC PANEL, CTRL  
MTG PLATE AND CTRLS**



Amana [Residential Amana LW6153LM \(BOM: PLW6153LMA\) Washer Parts](#) Parts Diagram 09 - GRAPHIC PANEL, CTRL MTG PLATE AND CTRLS  
Click on the part number to view part

Item	Original Part Number	Replaced By	Status	Part Description
1	Y34826		Not Available	DIFFUSER,LAMP-CLEAR
2	34824		Not Available	TOP COVER
3	23962	<a href="#">W10116760</a>		Screw
4	34904	<a href="#">489355</a>		Screw, 8 X 1/2
5	<a href="#">36607</a>			Timer, 4 Cycle
6	501086	<a href="#">90767</a>		Screw, 8A X 3/8 HeX Washer Head Tapping
7	34817		Not Available	END CAP(RIGHT)
8	34903		Not Available	PANEL, BACK HOOD (USE 37782)
9	34902_P		Not Available	CABINET TOP
10	34821		Not Available	CONTROL MOUNTING PLATE
11	36625	<a href="#">07708700</a>		Grate
12	36700		Not Available	TIMER KNOB SKIRT
13	35333		Not Available	TIMER KNOB

14	36701	Not Available	KNOB, TEMP
15	34818	Not Available	END CAP(LEFT)
16	36335	<a href="#">40046601</a>	Switch, Temperature Select
17	36045	<a href="#">40055101</a>	Switch, Pressure
18	35118	<a href="#">40039501</a>	Switch, Speed

