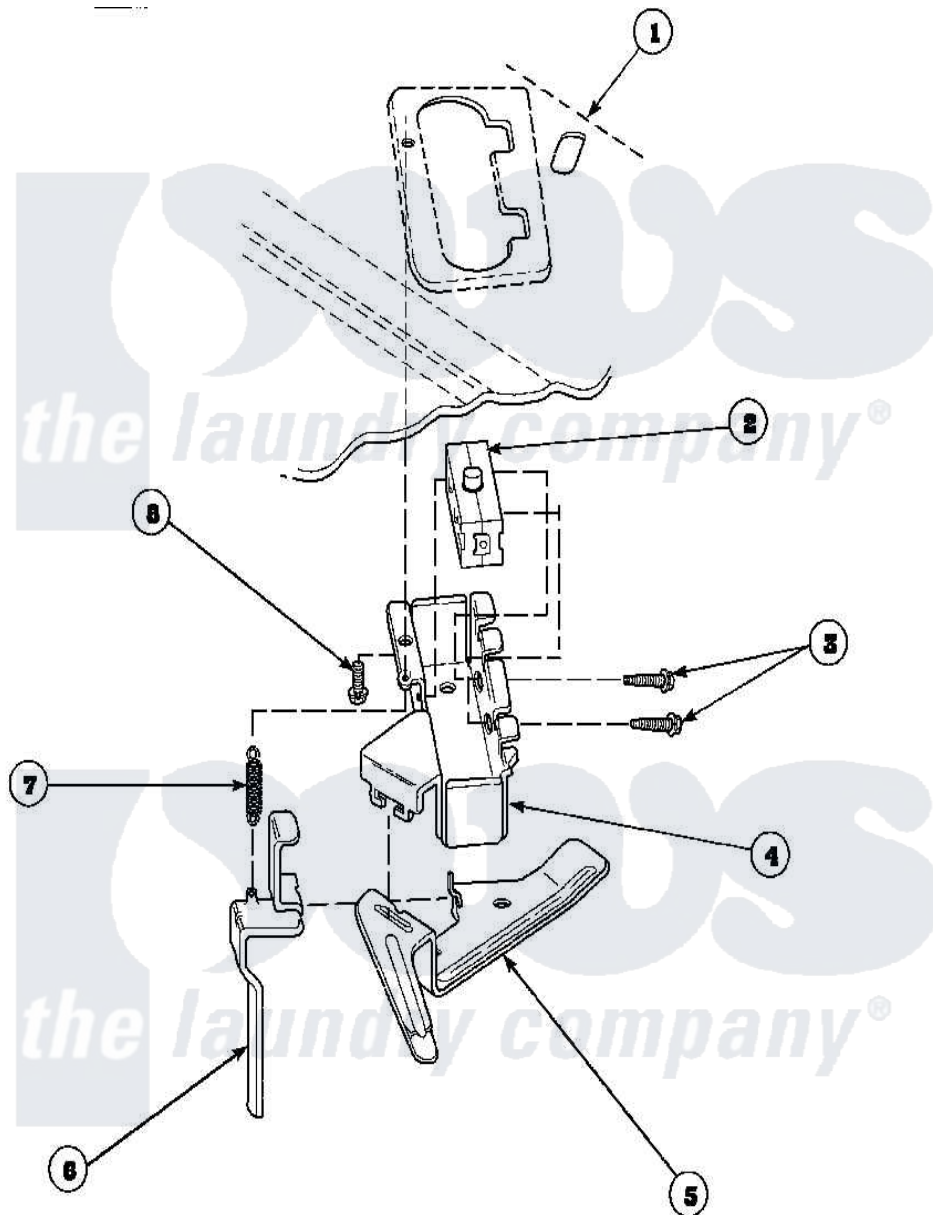


Amana LW6153WM (BOM: PLW6153WMA) 14 - OUT-OF-BALANCE SWITCH



Amana Residential Amana LW6153WM (BOM: PLW6153WMA) Washer Parts Parts Diagram 14 - OUT-OF-BALANCE SWITCH

Click on the part number to view part

Item	Original Part Number	Replaced By	Status	Part Description
1	34902_P		Not Available	CABINET TOP
2	33445	27001095		Switch, Lid
3	36510			Screw
4	36497P			Kit, Switch Holder
5	33441			Arm, Actuator
6	33442			Lever, Unbalanced Load
7	33443			Spring
8	23962	W10116760		Screw