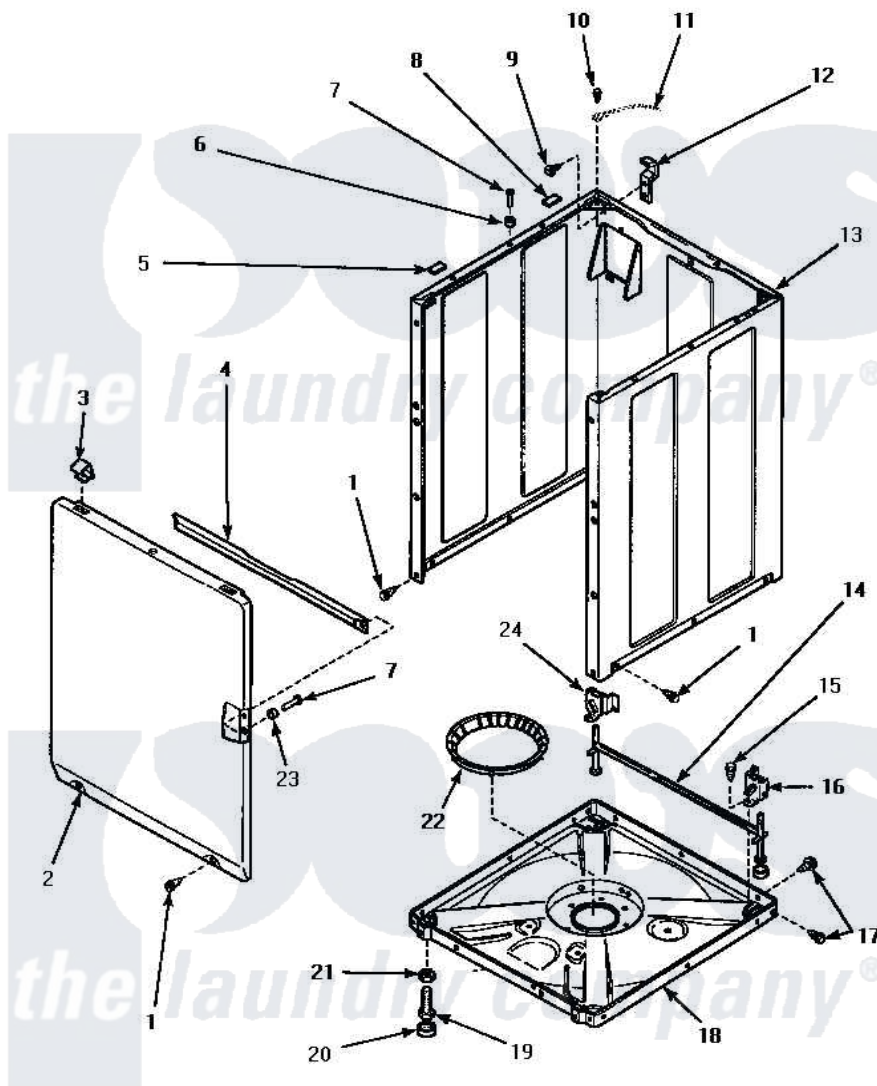


**Amana LW6163LM (BOM: PLW6163LM A) 07 - FRONT PANEL, BASE ASSY & CABINET ASSY**



**FRONT PANEL, BASE ASSEMBLY AND CABINET ASSEMBLY**

Amana Residential Amana LW6163LM (BOM: PLW6163LM A) Washer Parts Parts Diagram 07 - FRONT PANEL, BASE ASSY & CABINET ASSY

[Click on the part number to view part](#)

Item	Original Part Number	Replaced By	Status	Part Description
1	27196	<a href="#">27001200</a>		Screw
2	<a href="#">34656WP</a>			Assembly, Front Panel
"	<a href="#">34656LP</a>			Assembly, Front Panel
3	<a href="#">35865</a>			Clip, Hold-Down Front Panel
4	Y35097		Not Available	BRACE, FRT PNL
5	<a href="#">Y56128</a>			Pad, Bumper
6	56079	<a href="#">505187</a>		Locator, Panel
7	32671	<a href="#">Y014874</a>		Screw, Idler Arm And Sleeve
8	<a href="#">36226</a>			Pad, Bumper .25
9	34499		Not Available	SCREW, No.10B X 1/4 TAP IN HX
10	23962	<a href="#">W10116760</a>		Screw
11	Y00000000		Not Available	SEE NOTE GROUND WIRE
12	<a href="#">Y27103</a>			Hinge, Hold-Down Lug
13	34475WP	<a href="#">38612WP</a>		Kit-Servic

"	34475LP	<a href="#">38612LP</a>	Kit Service Cabinet
14	<a href="#">34443</a>		Assembly, Leg And Stabilier
15	35148		Not Available SCREW, 1/4-14 X 3/8 HX HD
16	36036		Not Available BRACKET, SLL-RIGHT
17	35148		Not Available SCREW, 1/4-14 X 3/8 HX HD
18	<a href="#">36599P</a>		Assembly Nut/ Leg Base
"	<a href="#">34434P</a>		Assembly Nut/Leg Base
19	Y34319	<a href="#">22003428</a>	Leg, Adjustable
20	34318	<a href="#">40016001</a>	Foot, Rubber
21	Y21899	<a href="#">40038101</a>	Nut, Leg
22	36108		Not Available SNUBBER PAD & ISOLATOR
23	<a href="#">28102</a>		Locator, Panel
24	<a href="#">36037</a>		Bracket, SII-Left

*the laundry company*<sup>®</sup>

*the laundry company*<sup>®</sup>

*the laundry company*<sup>®</sup>