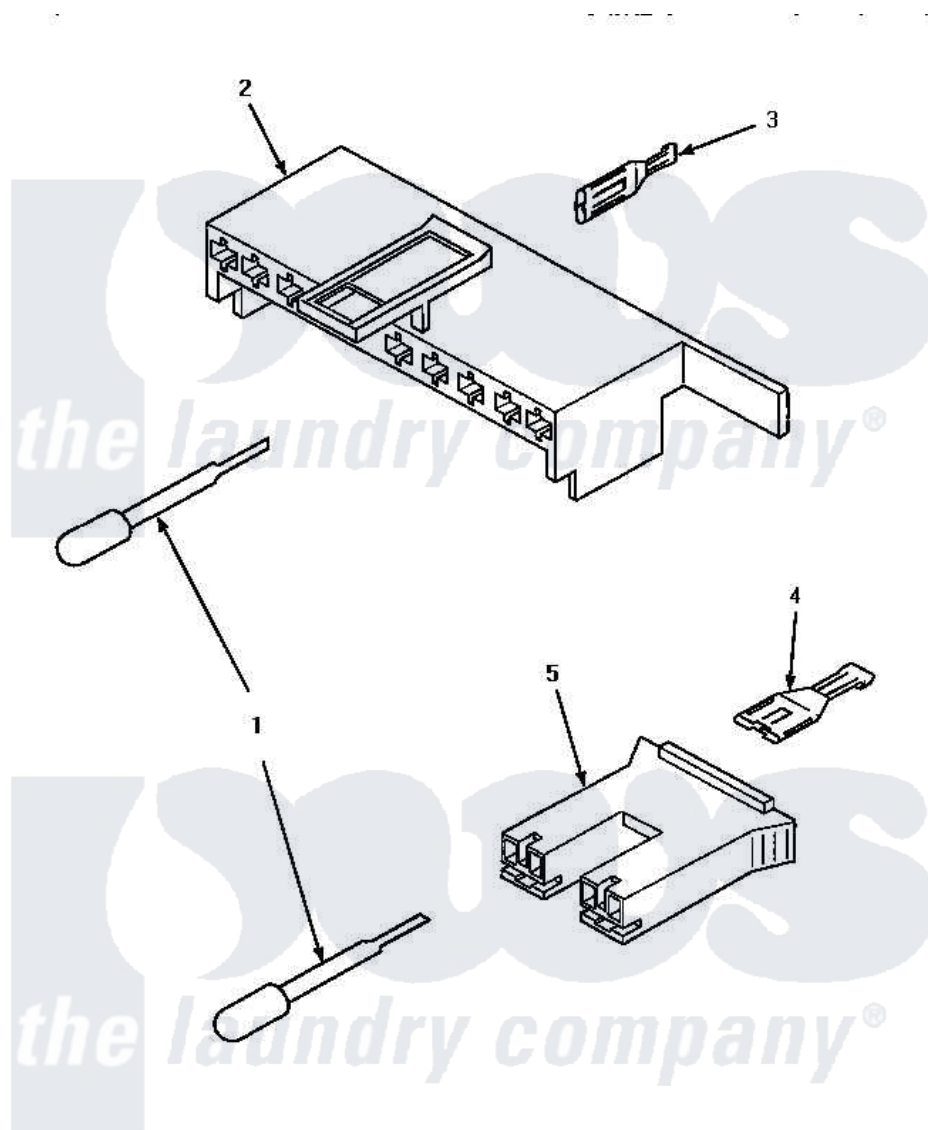


**Amana LW6163LM (BOM: PLW6163LM A) 09 - MIX VLV & MTR CONN
BLKS/TERM & EXTRACTOR**



**MIXING VALVE AND MOTOR CONNECTION BLOCKS,
TERMINALS AND TERMINAL EXTRACTOR TOOL**

Amana [Residential Amana LW6163LM \(BOM: PLW6163LM A\) Washer Parts](#) Parts Diagram 09 - MIX VLV & MTR CONN
BLKS/TERM & EXTRACTOR
[Click on the part number to view part](#)

Item	Original Part Number	Replaced By	Status	Part Description
1	283P4			Terminal Extractor Tool
2	34677			10 Circuit Plug
3	Y00188			Molex Terminal
4	Y00121		Not Available	SPADE TERMINAL(12 GAUGE) (1/4 INCH-(2) 18 GAUGE WIRES O
5	34676			Plug
"	34675		Not Available	PLUG