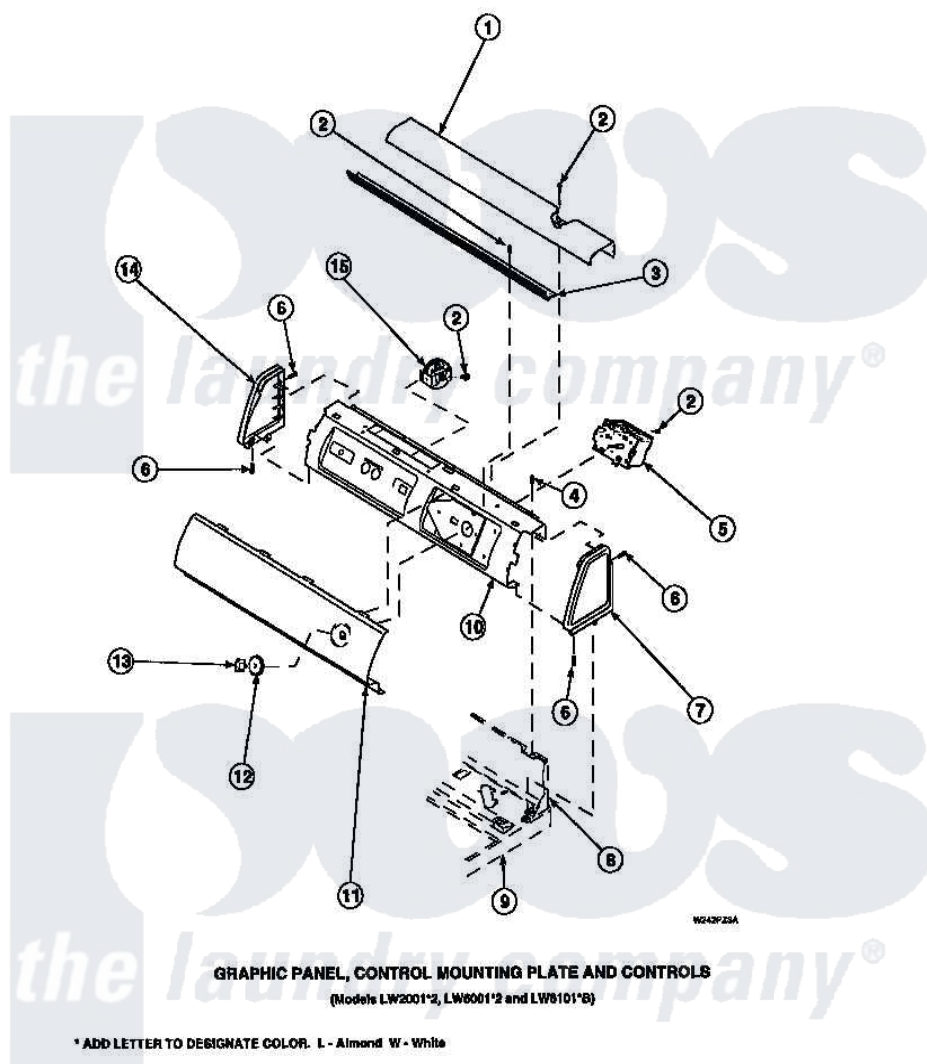


Amana LW6501W2 (BOM: PLW6501W2 A) 13 - GRAPHIC PANEL, CTRL MTG PLATE AND CTRLS



Amana Residential Amana LW6501W2 (BOM: PLW6501W2 A) Washer Parts Parts Diagram 13 - GRAPHIC PANEL, CTRL MTG PLATE AND CTRLS  
 Click on the part number to view part

| Item | Original Part Number  | Replaced By               | Status        | Part Description                        |
|------|-----------------------|---------------------------|---------------|---|
| 2    | 23962                 | <a href="#">W10116760</a> |               | Screw                                   |
| 3    | Y34826                |                           | Not Available | DIFFUSER,LAMP-CLEAR                     |
| 4    | 34904                 | <a href="#">489355</a>    |               | Screw, 8 X 1/2                          |
| 6    | 501086                | <a href="#">90767</a>     |               | Screw, 8A X 3/8 HeX Washer Head Tapping |
| 7    | 34817                 |                           | Not Available | END CAP(RIGHT)                          |
| 8    | 34903                 |                           | Not Available | PANEL, BACK HOOD (USE 37782)            |
| 9    | 34902P                |                           | Not Available | TOP                                     |
| 10   | 34821                 |                           | Not Available | CONTROL MOUNTING PLATE                  |
| 12   | 33817                 |                           | Not Available | ASSY,TIMER SKIRT-BLACK                  |
| 13   | <a href="#">33897</a> |                           |               | Knob, Timer-Washer-Blac                 |
| 14   | 34818                 |                           | Not Available | END CAP(LEFT)                           |