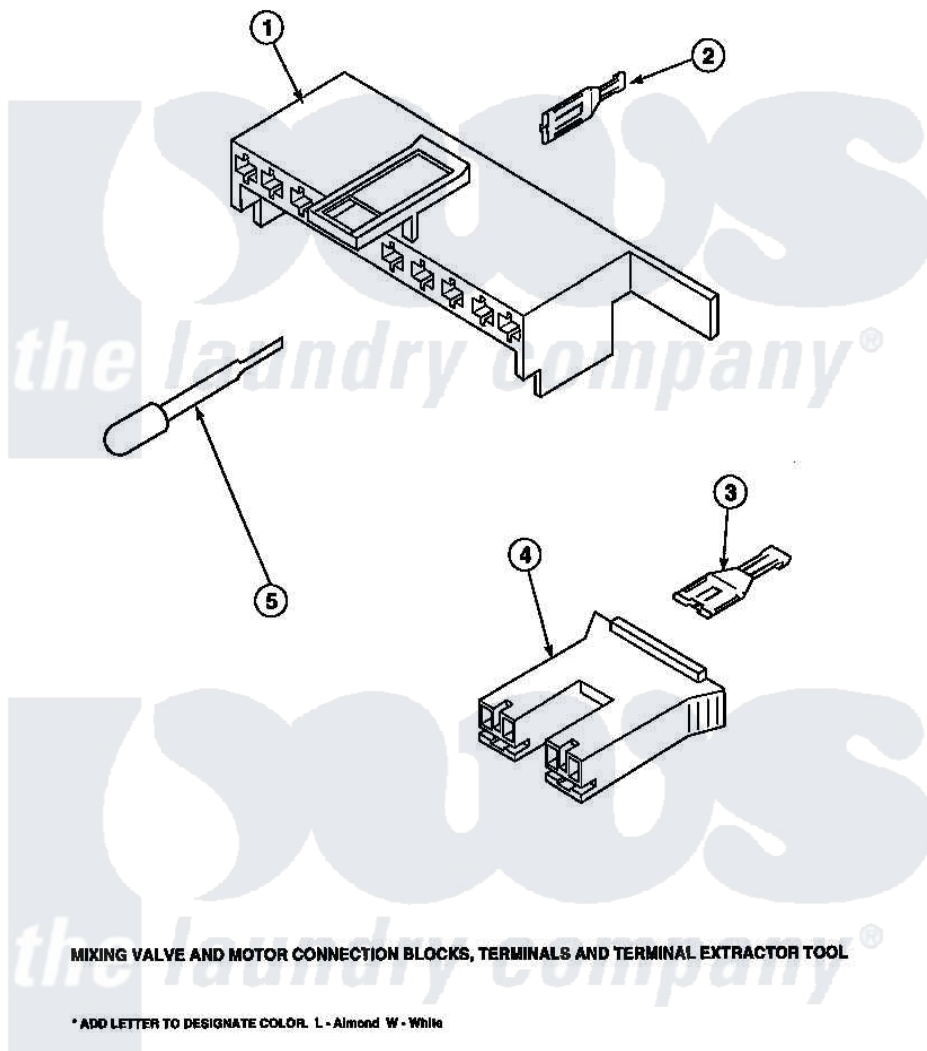


**Amana LW8203W2 (BOM: PLW8203W2 A) 19 - MIXING VALVE & MOTOR  
CONN BLOCKS, TERM**



Amana [Residential Amana LW8203W2 \(BOM: PLW8203W2 A\) Washer Parts](#) Parts Diagram 19 - MIXING VALVE & MOTOR CONN BLOCKS, TERM  
[Click on the part number to view part](#)

Item	Original Part Number	Replaced By	Status	Part Description
1	<a href="#">34677</a>			10 Circuit Plug
2	<a href="#">Y00188</a>			Molex Terminal
3	Y00121		Not Available	SPADE TERMINAL(12 GAUGE) (1/4 INCH-(2) 18 GAUGE WIRES O
4	<a href="#">34676</a>			Plug
"	34675		Not Available	PLUG
5	<a href="#">283P4</a>			Terminal Extractor Tool